



# DSP5D Editor Installation Guide

## ATTENTION

### SOFTWARE LICENSE AGREEMENT

PLEASE READ THIS SOFTWARE LICENSE AGREEMENT ("AGREEMENT") CAREFULLY BEFORE USING THIS SOFTWARE. YOU ARE ONLY PERMITTED TO USE THIS SOFTWARE PURSUANT TO THE TERMS AND CONDITIONS OF THIS AGREEMENT. THIS AGREEMENT IS BETWEEN YOU (AS AN INDIVIDUAL OR LEGAL ENTITY) AND YAMAHA CORPORATION ("YAMAHA").

BY DOWNLOADING, INSTALLING, COPYING, OR OTHERWISE USING THIS SOFTWARE YOU ARE AGREEING TO BE BOUND BY THE TERMS OF THIS LICENSE. IF YOU DO NOT AGREE WITH THE TERMS, DO NOT DOWNLOAD, INSTALL, COPY, OR OTHERWISE USE THIS SOFTWARE. IF YOU HAVE DOWNLOADED OR INSTALLED THE SOFTWARE AND DO NOT AGREE TO THE TERMS, PROMPTLY DELETE THE SOFTWARE.

#### 1. GRANT OF LICENSE AND COPYRIGHT

Yamaha hereby grants you the right to use the software program(s) and data ("SOFTWARE") accompanying this Agreement. The term SOFTWARE shall encompass any updates to the accompanying software and data. The SOFTWARE is owned by Yamaha and/or Yamaha's licensor(s), and is protected by relevant copyright laws and all applicable treaty provisions. While you are entitled to claim ownership of the data created with the use of SOFTWARE, the SOFTWARE will continue to be protected under relevant copyrights.

- **You may** use the SOFTWARE on **your computer(s)**.
- **You may** make one or reasonable copies of the SOFTWARE in machine-readable form for backup purposes only, if the SOFTWARE is on media where such backup copy is permitted. On the backup copy, you must reproduce Yamaha's copyright notice and any other proprietary legends that were on the original copy of the SOFTWARE.
- **You may** permanently transfer to a third party all your rights in the SOFTWARE, provided that you do not retain any copies and the recipient reads and agrees to the terms of this Agreement.

#### 2. RESTRICTIONS

- **You may not** engage in reverse engineering, disassembly, decompilation or otherwise deriving a source code form of the SOFTWARE by any method whatsoever.
- **You may not** reproduce, modify, change, rent, lease, or distribute the SOFTWARE in whole or in part, or create derivative works of the SOFTWARE.
- **You may not** electronically transmit the SOFTWARE from one computer to another or share the SOFTWARE in a network with other computers.
- **You may not** use the SOFTWARE to distribute illegal data or data that violates public policy.
- **You may not** initiate services based on the use of the SOFTWARE without permission by Yamaha Corporation.

Copyrighted data, including but not limited to MIDI data for songs, obtained by means of the SOFTWARE, are subject to the following restrictions which you must observe.

- Data received by means of the SOFTWARE may not be used for any commercial purposes without permission of the copyright owner.
- Data received by means of the SOFTWARE may not be duplicated, transferred, or distributed, or played back or performed for listeners in public without permission of the copyright owner.
- The encryption of data received by means of the SOFTWARE may not be removed nor may the electronic watermark be modified without permission of the copyright owner.

#### 3. TERMINATION

This Agreement becomes effective on the day that you receive the SOFTWARE and remains effective until terminated. If any copyright law or provisions of this Agreement is violated, the Agreement shall terminate automatically and immediately without notice from Yamaha. Upon such termination, you must immediately destroy the licensed SOFTWARE, any accompanying written documents and all copies thereof.

#### 4. DISCLAIMER OF WARRANTY ON SOFTWARE

You expressly acknowledge and agree that use of the SOFTWARE is at your sole risk. The SOFTWARE and related documentation are provided "AS IS" and without warranty of any kind. NOTWITHSTANDING ANY OTHER PROVISION OF THIS AGREEMENT, YAMAHA EXPRESSLY DISCLAIMS ALL WARRANTIES AS TO THE SOFTWARE, EXPRESS, AND IMPLIED, INCLUDING BUT NOT LIMITED TO THE IMPLIED WARRANTIES OF MERCHANTABILITY, FITNESS FOR A PARTICULAR PURPOSE AND NON-INFRINGEMENT OF THIRD PARTY RIGHTS. SPECIFICALLY, BUT WITHOUT LIMITING THE FOREGOING, YAMAHA DOES NOT WARRANT THAT THE SOFTWARE WILL MEET YOUR REQUIREMENTS, THAT THE OPERATION OF THE SOFTWARE WILL BE UNINTERRUPTED OR ERROR-FREE, OR THAT DEFECTS IN THE SOFTWARE WILL BE CORRECTED.

## 5. LIMITATION OF LIABILITY

YAMAHA'S ENTIRE OBLIGATION HEREUNDER SHALL BE TO PERMIT USE OF THE SOFTWARE UNDER THE TERMS HEREOF. IN NO EVENT SHALL YAMAHA BE LIABLE TO YOU OR ANY OTHER PERSON FOR ANY DAMAGES, INCLUDING, WITHOUT LIMITATION, ANY DIRECT, INDIRECT, INCIDENTAL OR CONSEQUENTIAL DAMAGES, EXPENSES, LOST PROFITS, LOST DATA OR OTHER DAMAGES ARISING OUT OF THE USE, MISUSE OR INABILITY TO USE THE SOFTWARE, EVEN IF YAMAHA OR AN AUTHORIZED DEALER HAS BEEN ADVISED OF THE POSSIBILITY OF SUCH DAMAGES. In no event shall Yamaha's total liability to you for all damages, losses and causes of action (whether in contract, tort or otherwise) exceed the amount paid for the SOFTWARE.

## 6. THIRD PARTY SOFTWARE

Third party software and data ("THIRD PARTY SOFTWARE") may be attached to the SOFTWARE. If, in the written materials or the electronic data accompanying the Software, Yamaha identifies any software and data as THIRD PARTY SOFTWARE, you acknowledge and agree that you must abide by the provisions of any Agreement provided with the THIRD PARTY SOFTWARE and that the party providing the THIRD PARTY SOFTWARE is responsible for any warranty or liability related to or arising from the THIRD PARTY SOFTWARE. Yamaha is not responsible in any way for the THIRD PARTY SOFTWARE or your use thereof.

- Yamaha provides no express warranties as to the THIRD PARTY SOFTWARE. IN ADDITION, YAMAHA EXPRESSLY DISCLAIMS ALL IMPLIED WARRANTIES, INCLUDING BUT NOT LIMITED TO THE IMPLIED WARRANTIES OF MERCHANTABILITY AND FITNESS FOR A PARTICULAR PURPOSE, as to the THIRD PARTY SOFTWARE.
- Yamaha shall not provide you with any service or maintenance as to the THIRD PARTY SOFTWARE.
- Yamaha is not liable to you or any other person for any damages, including, without limitation, any direct, indirect, incidental or consequential damages, expenses, lost profits, lost data or other damages arising out of the use, misuse or inability to use the THIRD PARTY SOFTWARE.

## 7. GENERAL

This Agreement shall be interpreted according to and governed by Japanese law without reference to principles of conflict of laws. Any dispute or procedure shall be heard before the Tokyo District Court in Japan. If for any reason a court of competent jurisdiction finds any portion of this Agreement to be unenforceable, the remainder of this Agreement shall continue in full force and effect.

## 8. COMPLETE AGREEMENT

This Agreement constitutes the entire agreement between the parties with respect to use of the SOFTWARE and any accompanying written materials and supersedes all prior or contemporaneous understandings or agreements, written or oral, regarding the subject matter of this Agreement. No amendment or revision of this Agreement will be binding unless in writing and signed by a fully authorized representative of Yamaha.

# Special Notices

- The software and this manual are the exclusive copyrights of Yamaha Corporation.
- Please read carefully the Software Licensing Agreement at the front of this manual before installing the application.
- Copying of the software or reproduction of this manual in whole or in part by any means is expressly forbidden without the written consent of the manufacturer.
- Yamaha makes no representations or warranties with regard to the use of the software and documentation and cannot be held responsible for the results of the use of this manual and the software.
- Future upgrades of application and system software and any changes in specifications and functions will be announced at the following website. <http://www.yamahaproaudio.com/>
- The screen displays as illustrated in this manual are for instructional purposes, and may appear somewhat different from the screens which appear on your computer.
- Copying of the commercially available musical data including but not limited to MIDI data and/or audio data is strictly prohibited except for your personal use.
- Windows is a registered trademark of Microsoft® Corporation in the United States and other countries.
- Apple, Mac and Macintosh are trademarks of Apple Inc., registered in the U.S. and other countries.
- The company names and product names in this manual are the trademarks or registered trademarks of their respective companies.

# DSP5D Editor

The DSP5D Editor enables you to remotely monitor/control the Yamaha DSP5D digital mixing system, save the parameter settings on your computer, and also prepare the DSP5D settings beforehand by editing the parameters offline.

## Installing the Software

Procedures		Windows
<b>1</b>	Verify that your system meets the operating requirements of each software program.	<a href="#">page 4</a>
<b>2</b>	Install the Studio Manager and each Editor.	<a href="#">page 4</a>
<b>3</b>	Install the Driver to your computer.	<a href="#">page 5</a>
<b>4</b>	Configure the network settings.	<a href="#">page 6</a>
<b>5</b>	Start up the Studio Manager, then start up the Editor.	<a href="#">page 8</a>

For subsequent operations, refer to the PDF manual from the [HELP] menu in each software program.

# Software installation

## Minimum System Requirements

The system requirements below may differ slightly depending on the particular operating system.

OS	Windows 7 : Ultimate/Professional/Home Premium Windows Vista : Ultimate/Enterprise/Business/Home Premium/Home Basic Windows XP : Professional SP2 or later/Home Edition SP2 or later/Tablet PC Edition 2005 Mac OS X : 10.5.8/10.6.x
Hard Disk	100MB or more
Display	1024 x 768 pixels or higher; High Color (16-bit) or higher
Other	Pointing device such as a mouse, Ethernet (100BASE-TX/10BASE-T) port

### Windows Vista / 7

CPU	32bit : 1.4GHz or higher Intel Core/Pentium/Celeron family processor 64bit : Intel 64 compatible processor
Available Memory	1GB or more (2GB or more on Windows 7 64-bit)

### Windows XP

CPU	800MHz or higher Intel Core/Pentium/Celeron family processor
Available Memory	512MB or more

### Mac OS X

CPU	Intel Core family processor
Available Memory	1GB or more

**NOTE** The Minimum System Requirements described above are applied to the DSP5D Editor version 2.2.5 (2.2.6 for Mac). Keep in mind that the software is often updated and the system requirements are subject to change. You can check the latest version information of each program and its system requirements at the following website  
<http://www.yamahaproaudio.com/>

The system requirements may differ slightly depending on the particular computer.

## Installing software

To use DSP5D Editor, you'll need to install the following software programs. Follow the appropriate instructions below.

- Studio Manger
- DSP5D Editor
- DME-N Network Driver (for Windows) / Network-MIDI Driver (for Mac)

### Studio Manager Installation

Studio Manager is a cross-platform application that enables you to use multiple Editor programs for remotely controlling Yamaha hardware from your computer, and allows you to save the Editor settings for instant recall. For specific instructions on using the software, refer to the PDF manual from the [HELP] menu in the Studio Manager and each Editor.

You can download the latest version of Studio Manager at the following website. For specific installation instructions, refer to the installation guide included in the downloaded file.  
<http://www.yamahaproaudio.com/>

## DSP5D Editor Installation

Follow the instructions below to install the software programs.

### 1 Double-click “setup.exe” (Windows) or “Install DSP5D Editor.pkg” (Mac) in the compressed file (you have downloaded).

A setup dialog of DSP5D Editor is displayed.

**NOTE** When running under Windows Vista / 7, the “User Account Control” dialog box may appear. Click [Continue] or [Yes].

### 2 Follow the on-screen instructions to install the software.

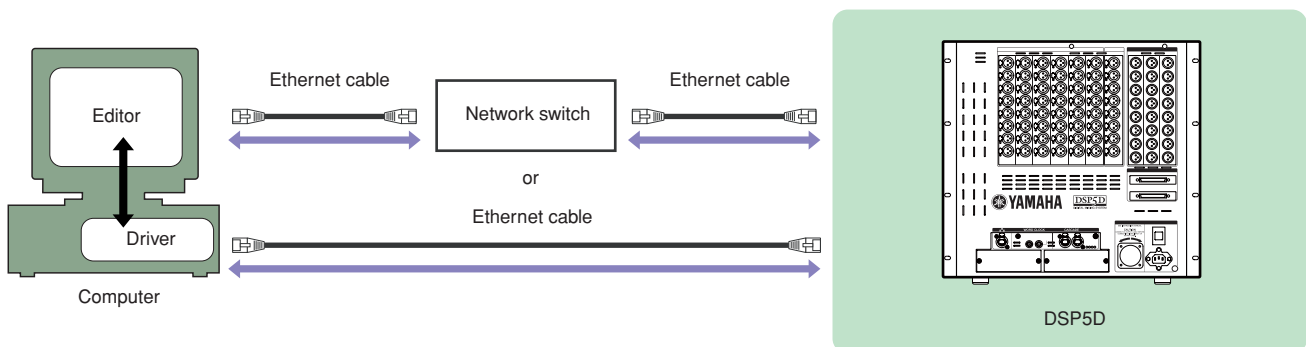
**NOTE** For specific instructions on using the software, refer to the PDF manual from the [HELP] menu in each program.

## Driver Installation

To operate the DSP5D from your computer via Ethernet, you’ll need to install the DME-N Network Driver software or the Network-MIDI Driver software. You’ll also need to set up DME-N Network Driver or the Network-MIDI Driver after installation. For details, refer to the “DME-N Network Driver Installation Guide for DSP5D” or the “Network-MIDI Driver Installation Guide.”

You’ll refer to “Network Settings” for the set values of DSP5D and your computer (page 6.)

DME-N Network and Network-MIDI Driver are software that transfers MIDI data back and forth between your computer and the DSP5D via Ethernet cable. Connect the computer to the DSP5D by using an Ethernet cable via a network switch. When you connect the computer to the DSP5D directly, you can use either a crossover or straight cable.



You can download the latest version of DME-N Network Driver and Network-MIDI Driver at the following website. For specific installation instructions, refer to the installation guide.

<http://www.yamahaproaudio.com/>

# Network Settings

## Network settings of the DSP5D

---

- **When connecting the computer to the DSP5D directly.**

You can use the following initial settings. If you don't know the current network settings, you can restore the following initial settings by initializing the internal memory.

IP address	192.168.0.129
Gateway address	192.168.0.1
Subnet mask	255.255.255.0

- **When you connect the computer to the DSP5D via LAN.**

Set the appropriate address in accordance with LAN.

Your computer and the DSP5D should exist in the same subnet in the same network address.

The DSP5D is Class C device. If you set the IP address, the first three numbers are set same value at your computer and the DSP5D.

IP address	Sets the IP address so that it does not conflict with the IP address of any other device on the network.
Gateway address	If you set the IP address, the first three numbers are automatically set. Set the last number of the IP address of the gateway when the gateway exists. Set the vacant address when the gateway does not exist. You should set the address in the same subnet as IP address. The address should be set in the same subnet as IP address within LAN in which the subnet is set.
Subnet mask	Use an initial setting of [255.255.255.0] in LAN environment in which the subnet is not set.

## Network settings of the computer

---

If you are connecting the DSP5D to your computer in a one-to-one connection, we recommend that you make the following settings.

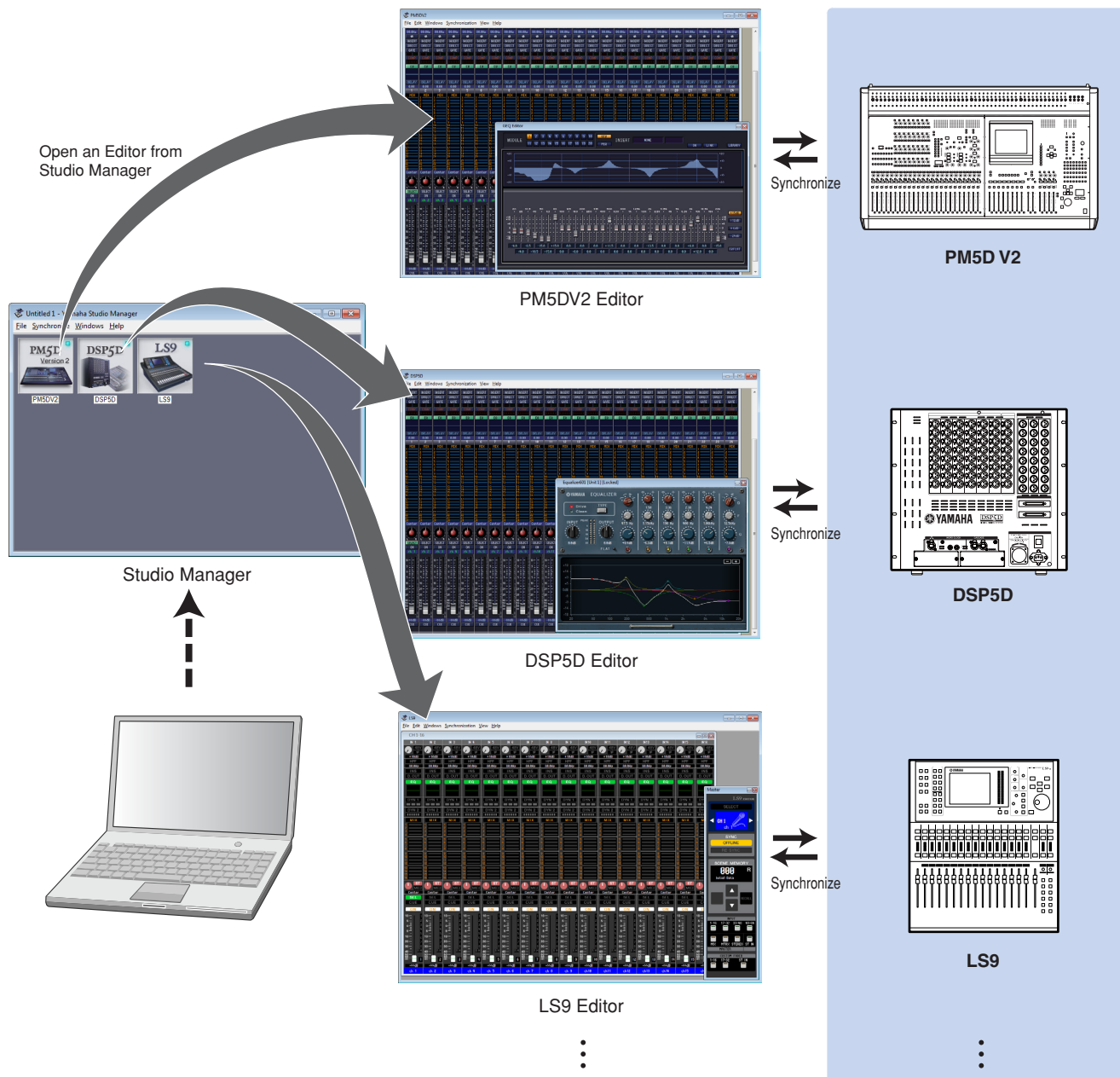
IP address	192.168.0.3
Subnet mask	255.255.255.0 (Fixed)
Default gateway (Router)	192.168.0.1

**NOTE** The DSP5D cannot be directly connected if the IP address is assigned automatically. Please contact your network administrator for further detail.

# Getting Started

## Overview of Studio Manager

Studio Manager is a cross-platform application that enables you use multiple Editor programs for remotely controlling Yamaha hardware from your computer, and allows you to save the Editor settings for instant recall.



The settings of each Editor can be saved and recalled together from Studio Manager. In other words, you can change the settings of your entire system in a single operation by recalling the settings for multiple devices from Studio Manager. This capability is referred to as “Recall.”

When you want to save setting files, you can do this from Studio Manager to recall multiple devices at once, or from an individual Editor to recall only a specific device.

# Starting and setting up Studio Manager

---

You'll need to perform the following setup in order to use the Editors in Studio Manager.

## 1 Start up Studio Manager.

### For Windows:

Click the [Start] button, place your mouse cursor over [Programs (All Programs)] → [YAMAHA Studio Manager], then click [Studio Manager].

### For Mac OS X:

Select and open the “Applications” folder, the “YAMAHA” folder, then the “StudioManager” folder, then double-click “SM2.”

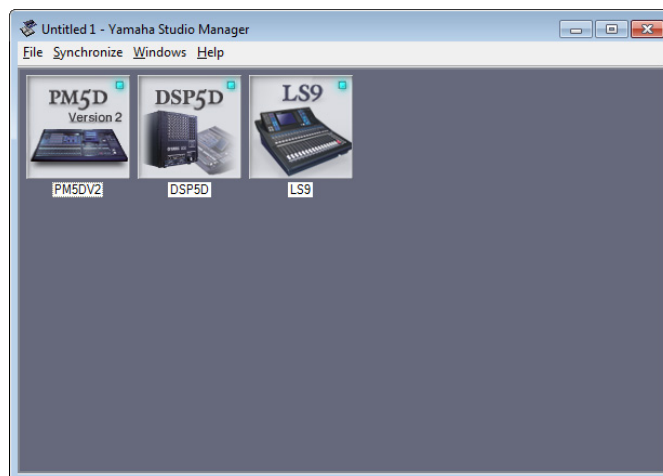
## 2 Set up Studio Manager.

For details, refer to the PDF manual, found in the [Help] menu on the Studio Manager.

**NOTE** On the Macintosh, do not execute the Studio Manager via Rosetta. The DSP5D Editor cannot be added to the Studio Manager via Rosetta.

## 3 Start up each Editor.

In the Studio Manager window, double-click the icon for each Editor.



Studio Manager window

## 4 Set up each Editor.

For details, refer to the PDF manual, found in the [Help] menu on each Editor.

## 5 Synchronize each Editor with your mixing console.

For details, refer to the PDF manual, found in the [Help] menu on each Editor.



## Uninstall (removing the installed application)

To remove the installed Editors and Studio Manager if using Windows:

### When using Windows Vista / 7

Select [Start] → [Control Panel] → [Programs and Features] or [Uninstall a program], then select the application to be removed and click [Uninstall/Change].

Follow the on-screen instructions to uninstall the application.

If the “User Account Control” window appears, click [Continue] or [Yes].

### When using Windows XP

Select [START] → [Control Panel] → [Add/Remove Programs] → [Install/Uninstall], then select the application to be removed and click [Add/Remove...].

Follow the on-screen instructions to uninstall the application.

## Troubleshooting

### When controlling the DSP5D from your computer via Ethernet, the DSP5D does not operate correctly.

- Have you installed the latest DME-N Network or the latest Network-MIDI Driver?
- Is the Ethernet cable connected correctly?  
Connect the computer to the DSP5D by using an Ethernet cable via a network switch or router. When you connect the computer to the DSP5D directly, you can use either a crossover or straight cable. .... DSP5D Owner's Manual
- Is the DME-N Network Driver or the Network-MIDI Driver set up appropriately?  
Did you enter an appropriate IP address?  
..... DME-N Network Driver Installation Guide for DSP5D, Network-MIDI Driver Installation Guide
- Is the computer network setup appropriate?  
Please confirm the computer network settings.  
..... DME-N Network Driver Installation Guide for DSP5D, Network-MIDI Driver Installation Guide
- Are the settings of the DSP5D and network devices (including network switches) appropriate?  
..... DSP5D Owner's Manual, Network device's Owner's Manual
- Have you selected an appropriate network ports both in the Studio Manager and DSP5D Editor?  
..... DSP5D Editor Owner's Manual
- Is the firewall Anti Virus (security) function enabled?  
In that case, you might experience problems controlling DSP5D.  
..... DME-N Network Driver Installation Guide for DSP5D, Network-MIDI Driver Installation Guide