

## ME2000 Owner's Manual

Thank you for your purchase of the YAMAHA ME2000 memory expansion kit for the DM2000 mixer. By replacing the original CPU board with this ME2000 expansion board, you will expand your mixer's automix memory to 7MB—a sevenfold increase that will make your mixer even more versatile and even easier to use.



**The ME2000 expansion kit must be installed by an authorized serviceperson. Please contact a local Yamaha dealer or a service center to arrange for installation. Do not attempt to install the ME2000 on your own.**

Please read through the following precautions carefully before having the serviceperson install this ME2000 expansion kit. Be sure to retain the manual in a safe place.

### **Precautions**

#### **WARNINGS**

**Failure to observe the following warnings may lead to fatality or serious injury from fire or electric shock.**

- Do not attempt to disassemble or modify the ME2000 board. Do not apply excessive force to board connectors or other board components. (Mishandling of the board may lead to shock, fire hazard, or equipment failure.)
- Be sure to unplug the DM2000 main unit from the power supply before installing the ME2000 board (to eliminate shock hazard).

#### **CAUTIONS**

**Failure to observe the following cautions may lead to injury, or may result in damage to equipment or other property.**

- Be careful to avoid catching or snagging fingers while carrying out the installation.
- When handling the ME2000 board, do not touch the board's metallic leads (pins). (Pins are sharp and may cause hand cuts.)
- The ME2000 board is electrostatic-sensitive. Before handling the board, you should briefly touch the main unit's metal casing with your bare hand so as to drain off any static charge from your body.
- Before starting installation, be sure to save all important data from the DM2000 unit to an external MIDI device. This installation process will clear all of the unit's user memory and will reset all settings to their defaults.
- Be sure to install the included lithium battery. This is a backup battery that is required maintain the data in the DM2000's expanded memory.

# FCC INFORMATION (U.S.A.)

## 1. IMPORTANT NOTICE: DO NOT MODIFY THIS UNIT!

This product, when installed as indicated in the instructions contained in this manual, meets FCC requirements. Modifications not expressly approved by Yamaha may void your authority, granted by the FCC, to use the product.

**2. IMPORTANT:** When connecting this product to accessories and/or another product use only high quality shielded cables. Cable/s supplied with this product **MUST** be used. Follow all installation instructions. Failure to follow instructions could void your FCC authorization to use this product in the USA.

**3. NOTE:** This product has been tested and found to comply with the requirements listed in FCC Regulations, Part 15 for Class "B" digital devices. Compliance with these requirements provides a reasonable level of assurance that your use of this product in a residential environment will not result in harmful interference with other electronic devices. This equipment generates/uses radio frequencies and, if not installed and used according to the instructions found in the users manual, may cause interference

The above statements apply **ONLY** to those products distributed by Yamaha Corporation of America or its subsidiaries.

harmful to the operation of other electronic devices. Compliance with FCC regulations does not guarantee that interference will not occur in all installations. If this product is found to be the source of interference, which can be determined by turning the unit "OFF" and "ON", please try to eliminate the problem by using one of the following measures:

Relocate either this product or the device that is being affected by the interference.

Utilize power outlets that are on different branch (circuit breaker or fuse) circuits or install AC line filter/s.

In the case of radio or TV interference, relocate/reorient the antenna. If the antenna lead-in is 300 ohm ribbon lead, change the lead-in to co-axial type cable.

If these corrective measures do not produce satisfactory results, please contact the local retailer authorized to distribute this type of product. If you can not locate the appropriate retailer, please contact Yamaha Corporation of America, Electronic Service Division, 6600 Orangethorpe Ave, Buena Park, CA90620

\* This applies only to products distributed by YAMAHA CORPORATION OF AMERICA.

(class B)

This device complies with Part 15 of the FCC Rules. Operation is subject to the following two conditions: (1) this device may not cause harmful interference, and (2) this device must accept any interference received, including interference that may cause undesired operation.

This Class B digital apparatus complies with Canadian ICES-003.

Cet appareil numérique de la classe B est conforme à la norme NMB-003 du Canada.

Yamaha cannot be held responsible for damage caused by improper use or modifications to the device, or data that is lost or destroyed.

- Please dispose of used batteries in accordance with local regulations.
- Illustrations in this manual are for explanatory purposes only, and may not match the actual appearance of the product.
- Company names and product names used herein are trademarks or registered trademarks of their respective owners.
- Use of the software and this manual is governed by the license agreement which the purchaser fully agrees to upon breaking the seal of the software packaging. (Please read carefully the important information and the Software Licensing Agreement of the Studio Manager's installation guide included with DM2000 before installing the software.)
- Specifications and descriptions in this owner's manual are for information purposes only. Yamaha Corp. reserves the right to change or modify products or specifications at any time without prior notice. Since specifications, equipment or options may not be the same in every locale, please check with your Yamaha dealer.

### ADVARSEL!

Lithiumbatteri—Eksplisionsfare ved fejlagtig håndtering. Udskiftning må kun ske med batteri af samme fabrikat og type. Levér det brugte batteri tilbage til leverandoren.

### VARNING

Explosionsfara vid felaktigt batteribyte. Använd samma batterityp eller en ekvivalent typ som rekommenderas av apparatillverkaren. Kassera använt batteri enligt fabrikantens instruktion.

### VAROITUS

Paristo voi räjähtää, jos se on virheellisesti asennettu. Vaihda paristo ainoastaan laitevalmistajan suosittelemaan tyyppiin. Hävitä käytetty paristo valmistajan ohjeiden mukaisesti.

## NEDERLAND

- Dit apparaat bevat een lithium batterij voor geheugen back-up.
- Raadpleeg uw leverancier over de verwijdering van de batterij op het moment dat u het apparaat aan het einde van de levensduur afdankt of de volgende Yamaha Service Afdeling:  
Yamaha Music Nederland Service Afdeling  
Kanaalweg 18-G, 3526 KL UTRECHT  
Tel. 030-2828425
- Gooi de batterij niet weg, maar lever hem in als KCA.

## THE NETHERLANDS

- This apparatus contains a lithium battery for memory back-up.
- For the removal of the battery at the moment of the disposal at the end of the service life please consult your retailer or Yamaha Service Center as follows:  
Yamaha Music Nederland Service Center  
Address: Kanaalweg 18-G, 3526 KL  
UTRECHT  
Tel: 030-2828425
- Do not throw away the battery. Instead, hand it in as small chemical waste.

## ● Note About Versions and Upgrades

### System software:

The ME2000 includes system version 1.20 or higher, and is not compatible with pre-V1.20 software. Before upgrading your DM2000 again in the future, be sure that your updater program is V1.20 or higher.

### Studio Manager:

The ME2000 is not compatible with Studio Manager versions prior to V1.1.1. If your version is older than V1.1.1, please replace it by installing the Studio Manager version included on the accompanying CD-ROM. For information about how to carry out the installation, refer to Studio Manager's installation guide.

Note that Macintosh system requirements are now as indicated in the table below.

#### Macintosh System Requirements

Computer	A Macintosh G3/233 MHz or better and a USB port
OS	Mac OS 8.6 to 9.2.2 (Mac OS X not supported)
Memory	120 MB or more of free memory (Virtual memory must be turned off)
Hard Disk	7 MB or more
Display	1024 × 768 pixels, 256 colors or higher 1280 × 1024, 32,000 colors recommended
Other	OMS 2.3.3 or later

*Note: If you are using a PowerBook on battery power, open the Energy Save control panel, and in Advanced Settings, Additional Power Savings, turn off Allow processor cycling.*

For the latest information about System software and Studio Manager, please visit our website at [www.yamahaproaudio.com](http://www.yamahaproaudio.com).

## ● Save the Data from the DM2000



The board installation procedure will clear all DM2000 user memory, and will reset all DM2000 settings to their defaults. Before starting installation, use the following procedure to save the data from the DM2000 into an external MIDI device. You can then restore the data after completing the installation.

#### NOTE

As alternatives, you can save the data directly into a SmartMedia card or you can use Studio Manager to save the data into a computer. For details, refer to the DM2000 owner's manual or to the Studio Manager owner's manual (PDF file).

1. Press the DISPLAY ACCESS [MIDI] key to open the Bulk Dump page.
2. Set CATEGORY to ALL, select the TRANSMIT button, and then press the [ENTER] key to start the save.

## ● Install the ME2000 Expansion Kit

~The following instructions are intended for use by authorized servicepersons only.~



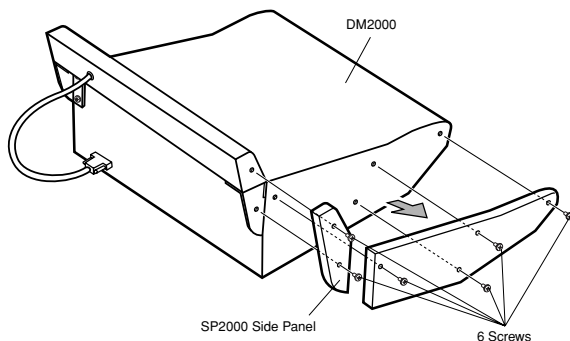
**This kit is not user-installable. Users should contact a local Yamaha dealer or a service center to arrange for installation by a Yamaha-authorized serviceperson.**

### Detach and Raise the Control Panel

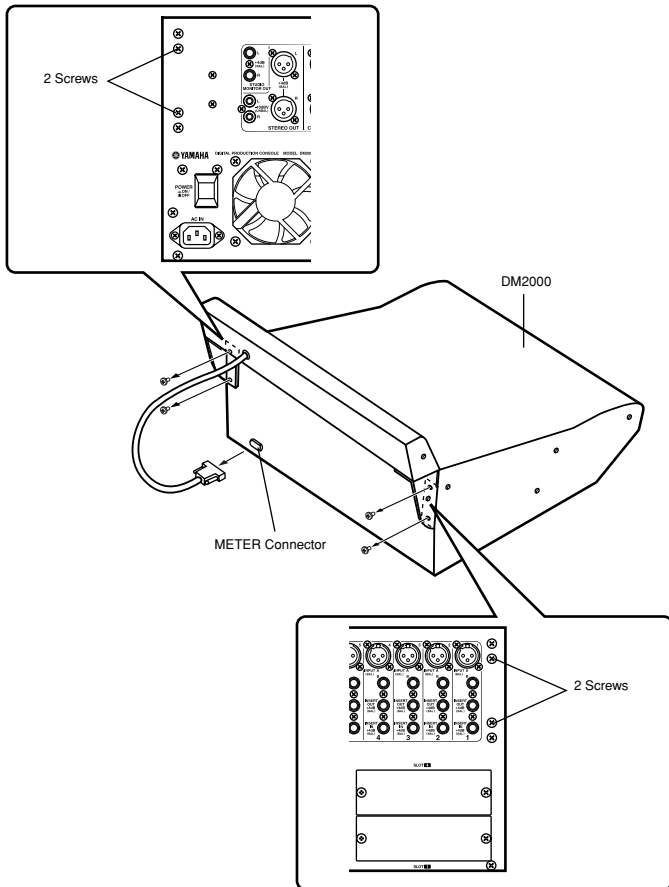
**NOTE** When removing each screw, note its location and be sure to return it to the same place when reassembling. Screws come in various sizes and are not interchangeable.

1. Turn off the DM2000 power switch, and unplug the DM2000 power cord from the power supply.
2. If SP2000 side panels are installed on the DM2000, remove both of these panels (one from the left, and the other from the right). To remove each panel, remove 6 screws as shown below (for a total of 12 screws).

For more information about SP2000 side panels, refer to the DM2000 owner's manual.



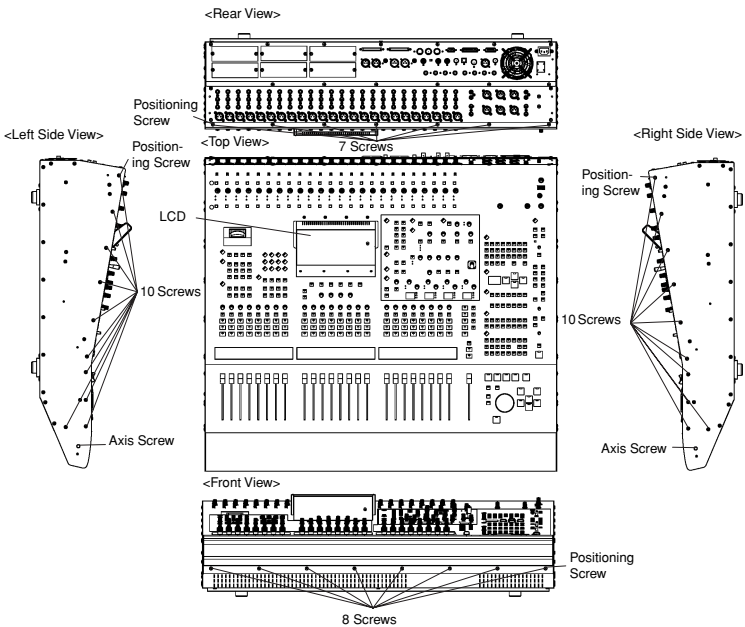
3. If the MB2000 peak meter bridge is installed on the DM2000, remove it. First disconnect the bridge cable from the METER connector on the DM2000. Then remove the 4 screws holding the bridge in place (as shown below), and remove the bridge.



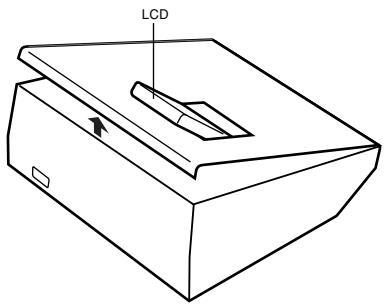
4. Remove the screws indicated in the illustration below: 10 screws from the left side, 10 screws from the right side, 8 screws from the front, and 7 screws from the rear.
5. Loosen the axis screws slightly (but do not remove them), so that the control panel can pivot.



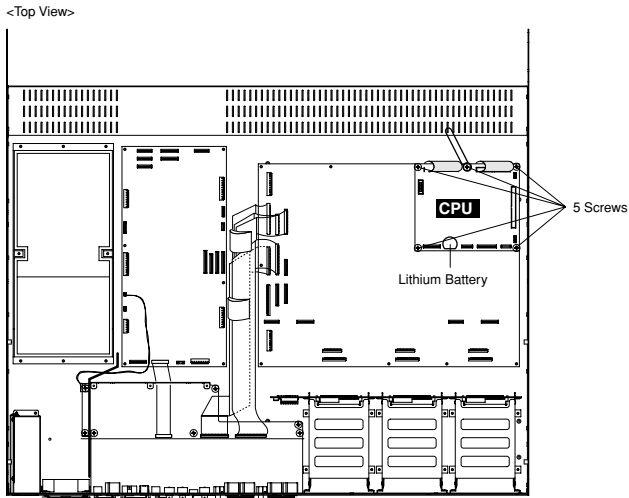
Do not remove the axle screws. If these screws are removed the control panel may fall and cause injury or equipment damage.



6. Hold onto the LCD, and lift up the rear of the control panel.

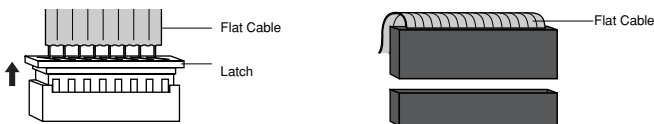


7. Secure the raised control panel in place, so that it does not fall back down.



## Install the ME2000 Expansion Board and the Battery

1. Disconnect the 6 flat cables from the 4 white connectors and 2 black connectors on the CPU board.
  - To disconnect from white connectors: Pull out the connector latch as shown in the illustration, and then pull the cable out.
  - To disconnect from the black connectors: Grasp the top connector and pull off.



2. Remove the 5 screws holding the CPU board in place, and remove the CPU board.
3. Set the ME2000 expansion board into position, and fasten it into place with 5 screws (the 5 screws you removed above, or the 5 screws included in the kit).

**NOTE** When installing the expansion board, you can use either these 5 screws or else the 5 screws included in the kit. If you reuse these original screws, you will not need the screws in the kit.

4. Reconnect the flat cables.
  - To reconnect to each white connector: Insert so that the red line on the cable is aligned with the ▼ mark on the connector, and then push the latch down to secure it.
  - To reconnect to each black connector: Insert so that the blue line on the cable is aligned with the ▼ mark on the connector.



5. Install the supplied lithium battery. This is a backup battery that is required to maintain data in the DM2000 unit's expanded memory.

## Reattach the Control Panel

1. Lower the control panel back into place. Then refasten with the original screws, in the following order: front panel first, then the sides, and then the rear. When fastening each panel, always fasten the positioning screw first (see illustrations on page 6 above).



Before screwing in the control panel, check to make sure that you have not left any loose screws or tools inside the DM2000 casing. Loose objects left in the casing may cause damage to the equipment.

2. *If applicable:* Reinstall the MB2000 peak meter bridge and/or the SP2000 side panels by reversing the removal procedures given on page 4 and 5 above.

## ● Restoring the Saved DM2000 Data

If you saved the DM2000 data to an external MIDI device as described on page 3 above, you can now restore that data as follows.

1. After completing the kit installation, turn on the DM2000 power. The start-up screen displays the message **MEMORY EXPANDED**.
2. Press the DISPLAY ACCESS [MIDI] key to open the Bulk Dump page.
3. Set the CATEGORY to ALL, select the REQUEST button, and then press the [ENTER] key.

### NOTE

It is not possible to load automix data that exceeds the mixer's automix memory capacity (7MB with the ME2000 installed; 1MB if it is not installed). If you attempt to load such data, the DM2000 will display an appropriate message and will execute the load. Any data already existing in the DM2000 will remain unchanged.

## ● Kit Contents

ME2000 Expansion Board

Lithium battery

5 Screws

ME2000 Owner's Manual (this booklet)

CD-ROM (Studio Manager)

European models

Purchaser/User Information specified in EN55103-1 and EN55103-2.

Conforms to Environments: E1, E2, E3 and E4