

YAMAHA

NS-E120

Natural Sound Bass-Reflex Type Effect Speaker System

Thank you for selecting this Yamaha NS-E120 speaker system. This model is designed mainly to be used as an effect speaker system.

PRECAUTIONS

Read these precautions carefully before operating your speakers.

- When using an amplifier with a rated output power higher than the music input of the speakers, care should be taken never to exceed the speakers' music input.
- Do not attempt to clean the speakers with chemical solvents as this might damage the finish. To clean, wipe with a dry, soft cloth.
- To prevent the enclosure from warping or discoloring, do not place the speakers where they will be exposed to direct sunlight or excessive humidity.
- Do not place the speakers where they are liable to be knocked over or struck by falling objects. Stable placement will also ensure better sound performance.
- Placing the speakers on the same shelf or rack as the turntable can result in feedback.
- As these speakers contain strong magnets, avoid placing watches, magnetic tapes, etc. near them. Also, placing the speakers near a TV set may impair picture color. If this happens, move the TV set away from the speakers.
- Secure installing is the owner's responsibility. YAMAHA shall not be liable to any accident caused by a failure in installing at a proper position and by proper installation procedure.

CONNECTION TO YOUR AMPLIFIER

BEFORE MAKING CONNECTIONS, MAKE SURE THAT THE AMPLIFIER IS SWITCHED OFF.

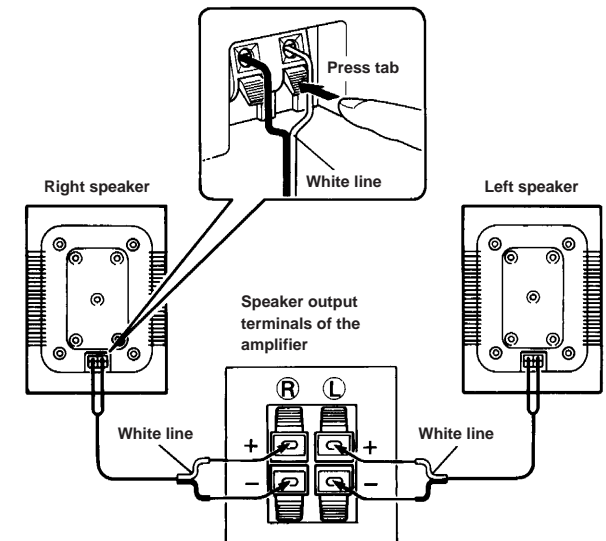
■ CONNECTIONS

- Connect the push-type input terminals at the rear of the speakers to the speaker output terminals of your amplifier with the supplied speaker cables.
- One side of the speaker cable is marked by a white line. Connect the (+) terminals on both the amplifier and the speakers using this white-marked side. Connect the (-) terminals on both components using the unmarked side of the cable.
- Connect the left speaker to the left (marked L) terminals of your amplifier, and the right speaker to the right (marked R) terminals, making sure not to reverse the polarity (+, -). If one speaker is connected with reversed polarity, the sound will be unnatural and lack bass.

Procedures:

- ① Press the tab on the terminal down, as shown in the figure.
- ② Insert the bare wire end properly into the terminal.

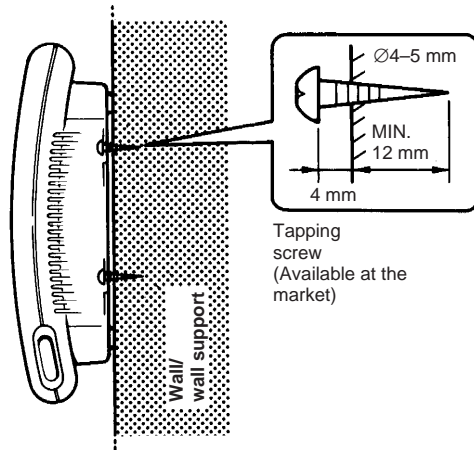
- ③ Remove your finger from the tab to allow it to lock snugly on the cable's wire end.
- ④ Test the security of the connection by tugging lightly on the cable at the terminal.



SETTING UP THE SPEAKERS

■ Attaching the speakers to a wall

The speakers may be attached to a wall by using the hooks provided on the speakers' back panels. Fasten wood screws into a firm wall or wall support as shown in the diagram, and hang the speaker hooks on the protruding screws.



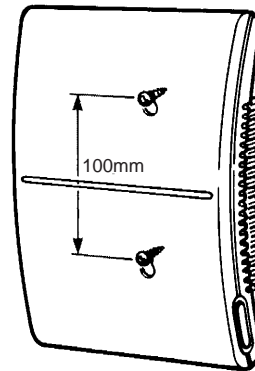
WARNING:

- * Each speaker weighs 1.8 kg (4 lbs.). Do not attach them to thin plywoods or soft wall surface materials, as the screws may tear free from flimsy surfaces, causing the speakers to fall and be damaged, or result in personal injury.
- * Do not fasten the speakers to walls with nails, adhesives, or other unsound hardware. Long-term use and vibrations may cause them to pull free.
- * To avoid accidents resulting from tripping over loose speaker cables, fix these to the wall along with the speakers.

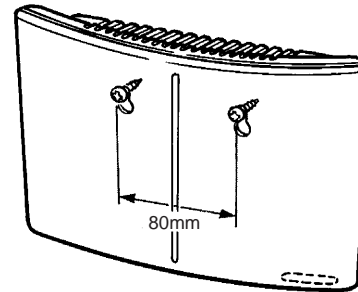
NOTE:

The speakers can be hung on a wall in one of two different configurations: vertically or horizontally. The speaker hooks have been arranged so that the speakers may be mounted in either of the two configurations shown by the following figures.

Upright configuration

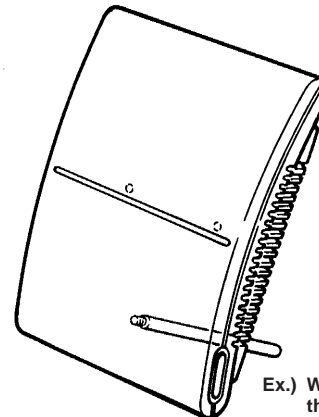


Side long configuration



■ Setting the speakers on a shelf or rack

As shown in the figure, the speakers may be stood in an upright or side-long configuration on either shelves or racks, by attaching one of the supplied stands to the back of each speaker.



Ex.) When setting the speaker upright

SPECIFICATIONS

Type	2-Way Bass-Reflex type
Speaker Unit	12 cm paper cone woofer (JA1280) 2.5 cm semi-dome tweeter (JA05R8)
Crossover	6 kHz (6 dB/oct)
Input Terminal	Push-type
Nominal Impedance	6 ohms
Frequency Response	70 Hz – 20 kHz
Nominal Input Power	50W
Music Input Power	100W
Sensitivity	91 dB/W·m
Dimensions (WxHxD)	220 mm x 297 mm x 89 mm (8 ^{-5/8} " x 11 ^{-11/16} " x 3 ^{-1/2} ")
Weight	1.8 kg (4 lbs.)
Accessories	2 speaker cables (10m each), 2 stands

* Specifications subject to change without notice due to product improvements.

YAMAHA
YAMAHA CORPORATION

VP15950-0 BWWR,W Printed in Japan