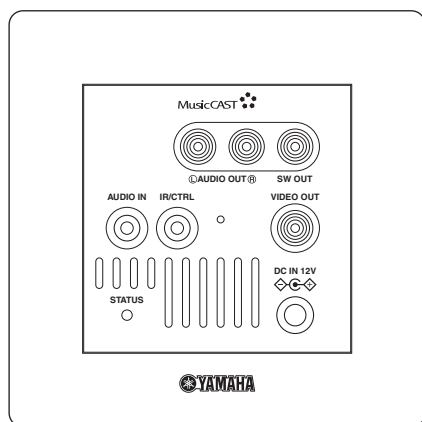


MusicCAST

MCX-CA15


Distributed Audio Amplifier

Unité D'Amplification



OWNER'S MANUAL
MODE D'EMPLOI
BEDIENUNGSANLEITUNG
BRUKSANVISNING
MANUALE DELL'UTENTE
MANUAL DEL PROPIETARIO
GEBRUIKERSHANDLEIDING

CAUTION: READ THIS BEFORE OPERATING YOUR UNIT.

- 1 To assure the finest performance, please read this manual carefully. Keep it in a safe place for future reference.
- 2 Install these units in a well ventilated, cool, dry, clean place — away from direct sunlight, heat sources, vibration, dust, moisture, and/or cold. Allow ventilation space of at least 10 cm on the top, bottom, left and right. Also make sure the rear of these units is not touching the opposite wall.
- 3 Locate these units away from other electrical appliances, motors, or transformers to avoid humming sounds.
- 4 Do not expose these units to sudden temperature changes from cold to hot, and do not locate these units in an environment with high humidity (i.e. a room with a humidifier) to prevent condensation inside these units, which may cause an electrical shock, fire, damage to these units, and/or personal injury.
- 5 Avoid installing these units where foreign objects may fall onto these units and/or these units may be exposed to liquid dripping or splashing. On the top of these units, do NOT place:
 - Other components, as they may cause damage and/or discoloration on the surface of these units.
 - Burning objects (i.e. candles), as they may cause fire, damage to these units, and/or personal injury.
 - Containers with liquid in them, as they may fall and liquid may cause electrical shock to the user and/or damage to these units.
- 6 Do not cover these units with a newspaper, tablecloth, curtain, etc. in order not to obstruct heat radiation. If the temperature inside these units rises, it may cause fire, damage to these units, and/or personal injury.
- 7 Do not plug these units into a wall outlet until all connections are complete.
- 8 Do not operate these units upside-down. They may overheat, possibly causing damage.
- 9 Do not use force on switches, knobs and/or cords.
- 10 When disconnecting the power cord from the wall outlet, grasp the plug; do not pull the cord.
- 11 Do not clean these units with chemical solvents; this might damage the finish. Use a clean, dry cloth.
- 12 Only the voltage specified on these units must be used. Using these units with a higher voltage than specified is dangerous and may cause fire, damage to these units, and/or personal injury. YAMAHA will not be held responsible for any damage resulting from use of these units with a voltage other than that specified.
- 13 To prevent damage by lightning, disconnect the power cord from the wall outlet during an electrical storm.
- 14 Do not attempt to modify or fix these units. Contact qualified YAMAHA service personnel when any service is needed. The cabinet should never be opened for any reason.
- 15 When not planning to use these units for long periods of time (i.e. when going on vacation), disconnect the AC power plug from the wall outlet.
- 16 Be sure to read the “TROUBLESHOOTING” section in the MCX-C15 Owner’s Manual or MCX-CA15 Owner’s Manual on common operating errors before concluding that one or both of these units are faulty.
- 17 Before moving these units, press  on the MCX-C15 to place them in the sleep mode, and disconnect the AC power plug from the wall outlet.
- 18 Be sure to use the AC adaptor (LSE0215C1240) supplied with the MCX-C15. Using an AC adaptor other than the one provided may cause fire or damage to these units.
- 19 These units are designed for home use only. Never use these units in a car, etc. Doing so may cause these units to malfunction.

These units are not disconnected from the AC power source as long as they are connected to the wall outlet, even if the unit itself is turned off. This state is called the sleep mode. In this state, these units are designed to consume a very small quantity of power.

WARNING

TO REDUCE THE RISK OF FIRE OR ELECTRIC SHOCK, DO NOT EXPOSE THESE UNITS TO RAIN OR MOISTURE.

IMPORTANT

Please record the serial number of these units in the space below.

MODEL:

Serial No.:

MODEL:

Serial No.:

The serial number is located on the rear of each unit. Retain this Owner's Manual in a safe place for future reference.

SPECIAL INSTRUCTIONS FOR U.K. MODEL

IMPORTANT

The wires in this mains lead are coloured in accordance with the following code:

GREEN-and-YELLOW: Earth

BLUE: Neutral

BROWN: Live

As the colours of the wires in the mains lead of each unit may not correspond with the coloured markings identifying the terminals in your plug, proceed as follows: The wire which is coloured GREEN-and-YELLOW must be connected to the terminal in the plug which is marked by the letter

E or the safety earth symbol \perp , or coloured GREEN or GREEN - and YELLOW. The wire which is coloured BLUE must be connected to the terminal which is marked with the letter N or coloured BLACK. The wire which is coloured BROWN must be connected to the terminal which is marked with the letter L or coloured RED.

For U.K. customers

If the socket outlets in your home are not suitable for the plug supplied with this appliance, it should be cut off and an appropriate 3 pin plug fitted. For details, refer to the instructions above.

Note: The plug severed from the mains lead must be destroyed, as a plug with a bared flexible cord is hazardous if engaged in a live socket outlet.

For Canadian Customers

To prevent electric shock, match the wide blade of the plug to the wide slot and fully insert. This Class B digital apparatus complies with Canadian ICES-003.

CAUTION

Danger of explosion if battery is incorrectly replaced. Replace only with the same or equivalent type.

CONTENTS

INTRODUCTION

FEATURES	2
SUPPLIED ACCESSORIES.....	3
CONTROLS AND FUNCTIONS	4
Front panel	4
Inside front panel.....	5
Rear panel	6
Bottom panel	7

USING THE MCX-CA15

OPERATION.....	8
Operation modes.....	8
Input level sensing function.....	11
RESET button.....	11

ADDITIONAL INFORMATION

TROUBLESHOOTING	12
SPECIFICATIONS	13

INTRODUCTION

USING THE
MCX-CA15

ADDITIONAL
INFORMATION

English


FEATURES

The MusicCAST MCX-CA15 Distributed Audio Amplifier (hereafter, the “MCX-CA15”) is designed to output 34 W (17 W per channel) of high-quality power paired with a MusicCAST MCX-C15 Distributed Audio Controller (hereafter, the “client”) to complete the MusicCAST system, or as an amplifier integrated with an existing audio system. As a companion to your client, the MCX-CA15 is fully controllable from the client, and functions as a power amplifier and DC power distributor. It provides high-quality power to all connected speakers, and can display the client’s on-screen display (OSD) on a TV or monitor connected to the MCX-CA15. As a stand-alone amplifier, the MCX-CA15 offers flexibility with two different operation modes to choose from.

The MCX-CA15 is designed to bring you the following features:

- ◆ Operation mode selection switch with three settings for customized use
- ◆ Up to 34 W (17 W per channel) high-quality power output
- ◆ Modern in-wall design with paintable face plate to match every interior
- ◆ In-wall speaker and subwoofer output terminals
- ◆ Selectable pre-amp output for use with an external audio system
- ◆ On-screen video output for menu display on a TV or monitor when used with a client
- ◆ IR flasher output using YAMAHA AV link technology when used with a client
- ◆ DC power output to a client

About this manual

-  indicates a tip for your operation.
- For details regarding installation and network configuration, refer to the Install Manual provided.
- This manual is printed prior to production. Design and specifications are subject to change in part as a result of improvements, etc. In case of differences between the manual and the product, the product has priority.

This unit must be installed by a qualified technician as indicated in the Install Manual provided. Do not attempt to install this unit yourself.

■ We Want You Listening For A Lifetime

YAMAHA and the Electronic Industries Association’s Consumer Electronics Group want you to get the most out of your equipment by playing it at a safe level. One that lets the sound come through loud and clear without annoying blaring or distortion – and, most importantly, without affecting your sensitive hearing. Since hearing damage from loud sounds is often undetectable until it is too late, YAMAHA and the Electronic Industries Association’s Consumer Electronics Group recommend you to avoid prolonged exposure from excessive volume levels.



SUPPLIED ACCESSORIES

After unpacking, check that you received all of the following parts.

Owner's Manual (this manual)



Install Manual



Spacers x 4

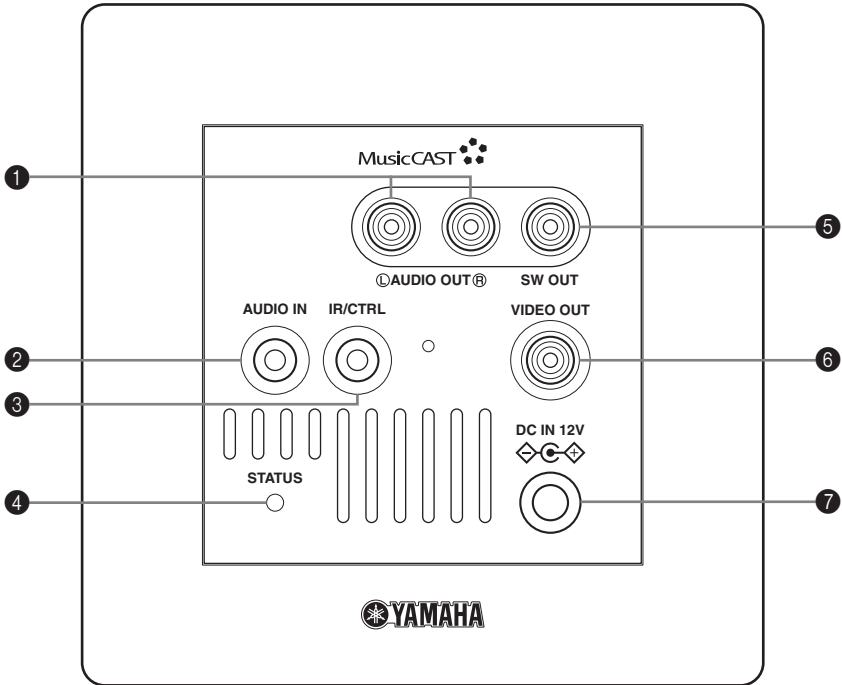


Pin/mini plug cable



CONTROLS AND FUNCTIONS

Front panel



1 AUDIO OUT jacks

Connect a receiver or amplifier (audio input source) to these jacks.

2 AUDIO IN jack

Connect an external stereo source, such as a DVD player or control amplifier if you want to listen to audio from that source.

3 IR/CTRL jack

Connect an IR flasher (infrared emitter) to this jack if you want to control a YAMAHA AV receiver registered on a client.

When this unit is connected to a client, this jack functions as an IR output jack.

When this unit is connected to an external component and the operation mode is set to "C", this jack functions as a control input jack.

4 STATUS indicator

Lights up when this unit is active (receiving a signal).

Dims when this unit is in sleep mode.

Flashes rapidly when the protection circuitry has been activated or an abnormality occurs.

Alternates between fully lit and dimmed for 10 seconds when this unit is first connected to a power source.

5 SW OUT jack

Connect a subwoofer to this jack to enhance bass frequencies.

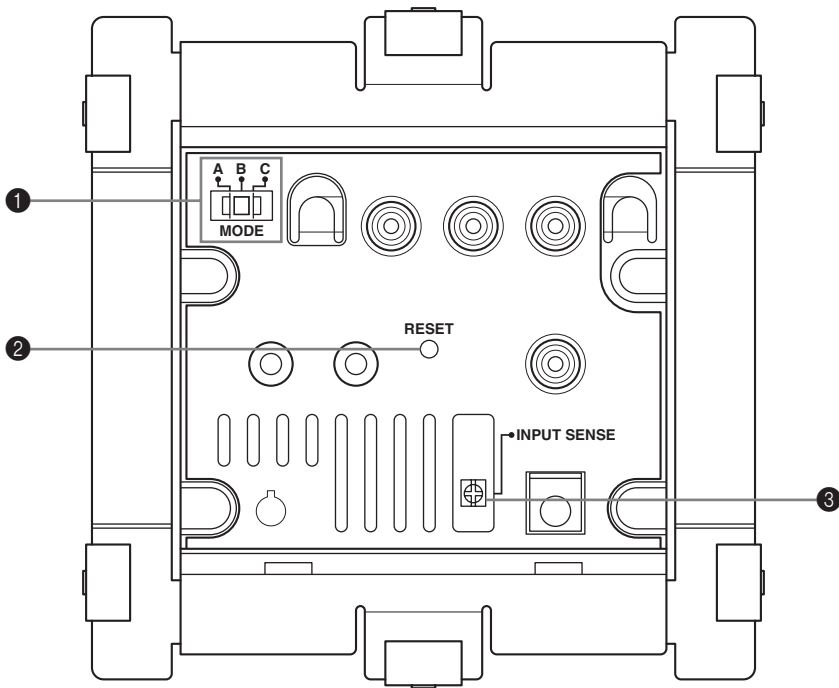
6 VIDEO OUT jack

Connect a TV or monitor to this jack if you want to display the client on-screen menu on the TV/monitor.

7 DC IN 12V jack

Connect the AC adaptor to this jack to supply power to this unit or distribute power to a client.

Inside front panel



❶ MODE switch

Switches between operation modes “A”, “B” and “C” (see page 10).

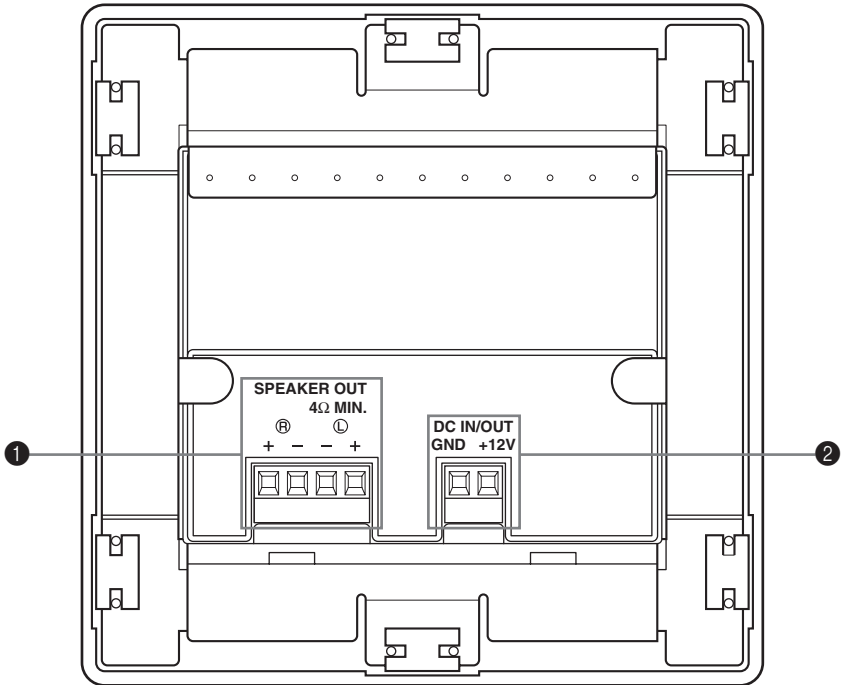
❷ RESET button

Resets this unit after the protection circuitry has been activated or the operation mode has been changed (see page 11).

❸ INPUT SENSE

Detects the presence of signals input through the AUDIO IN jack (see page 11).

Rear panel



❶ SPEAKER OUT terminals

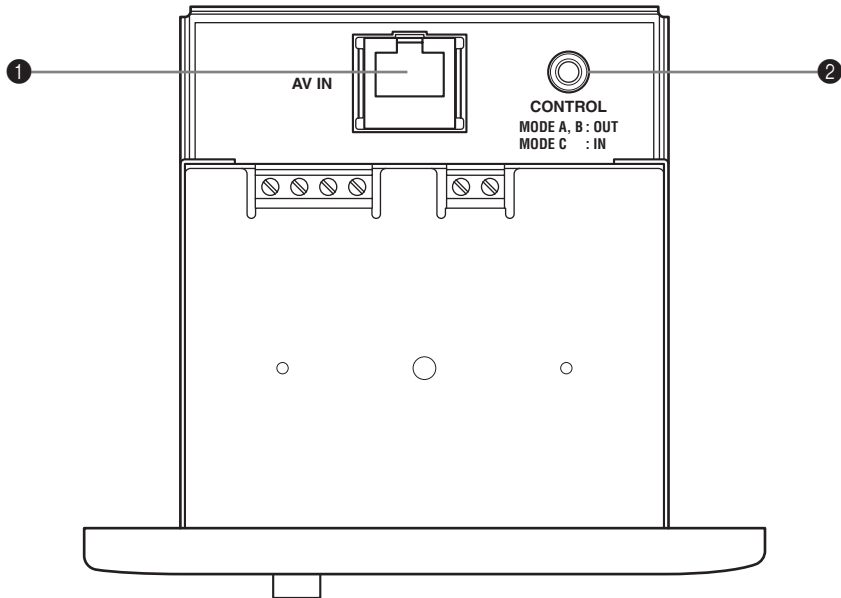
Connect speakers to these jacks using commercially available speaker cables.

❷ DC IN/OUT terminals

When this unit is connected to a client only, connect the DC power cable to these terminals to supply power to the client.

When this unit is connected to the I/O box, use these terminals to receive power from the I/O box.

Bottom panel



❶ AV IN jack

Connect a client to this jack using the CAT-5 cable (straight) supplied with the client to input signals from the client.

❷ CONTROL OUT/IN jack

Connect another MCX-CA15 or an external component to this jack to control the power of this unit.

OPERATION

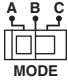
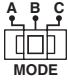
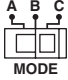
Operation modes

The MCX-CA15 features three different operation modes for user flexibility. Before using the MCX-CA15, you must set the operation mode to either “A”, “B” or “C” depending on your system configuration.

CAUTION

Be sure to set the operation mode before connecting the MCX-CA15 to a live power source.

■ Operation Modes

Mode	Usage
A mode 	Use this mode if you want to use the MCX-CA15 as a companion to a client. In this mode you can also control a YAMAHA AV receiver connected to the MCX-CA15 or I/O box from the client's remote control using YAMAHA AV link technology. In this mode, the MCX-CA15 is fully controllable from the client.
B mode 	Use this mode if you want to use the MCX-CA15 as an amplifier for a system other than the MusicCAST system and you also want to automatically turn on the MCX-CA15 or switch it to sleep mode using input signals using the input level sensing function*. In this mode, the MCX-CA15's power is controlled by audio signals input from the connected external component.
C mode 	Use this mode if you want to use the MCX-CA15 as an amplifier for a system other than the MusicCAST system and you do not want to use the input level sensing function*. In this mode, the MCX-CA15's power is controlled by control signals input from the connected external component.

* For details on the input level sensing function, see page 11.

CAUTION

In “B” and “C” modes, you cannot adjust the volume level from the MCX-CA15. Signals input through the AUDIO IN jack are not converted before being output. If loud sounds are output, your speakers may be damaged. Before listening to components for the first time, lower the volume on the component to minimum.

Notes

- In “B” mode, if no signal is detected for five minutes or longer, the MCX-CA15 enters sleep mode.
- In “B” and “C” modes, when a component is connected to the AUDIO IN jack, the input default setting is “AUDIO IN”. However, when no component is connected, the default setting is “AV IN”.
- Before connecting or disconnecting an external component to/from the AUDIO IN jack, be sure to unplug the MCX-CA15 from a live power supply.

■ Mode comparison and operation outline

Mode	IR/CTRL jack on the front panel	CONTROL IN/OUT jack on the bottom panel	Auto standby with input level sensing
A mode	IR output (using YAMAHA AV link technology)	Control output	No
B mode	(Not available)	Control output	Yes
C mode	Control input	Control input	No

The various functions of each jack are as follows:

IR output

The IR/CTRL jack on the front panel functions as an IR output jack in “A” mode. You can connect an IR flasher to this jack to control a YAMAHA AV receiver using YAMAHA AV link technology.

Note

This unit only supports IR modulation frequencies of 38 kHz.

Control output

The CONTROL IN/OUT jack on the bottom panel functions as a control output jack in “A” and “B” modes. In this case, this unit is capable of outputting power within the range 3 to 30 V from this jack. You can connect another MCX-CA15 to this jack to control the power of that MCX-CA15.

Control input

The IR/CTRL jack on the front panel and the CONTROL IN/OUT jack on the bottom panel function as a control input jack in “C” mode. In this case, this unit is capable of detecting signals within the range 3 to 30 V from these jacks. You can connect another MCX-CA15 or an external component to these jacks to control the power of this unit.

■ To switch the operation mode

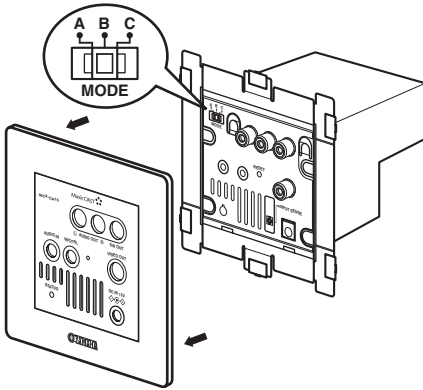
You can switch between the operation modes on the MCX-CA15 by sliding the MODE switch located on the inside front panel to the left and right.

CAUTION

- Always check that the operation mode is set correctly before performing automatic or manual configuration on the client.
- Make sure you press RESET after switching the operation mode.

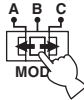
1 Gently grasp the edges of the front panel and pull it away from the main unit.

The MODE switch is now visible in the upper left corner of the inside front panel.



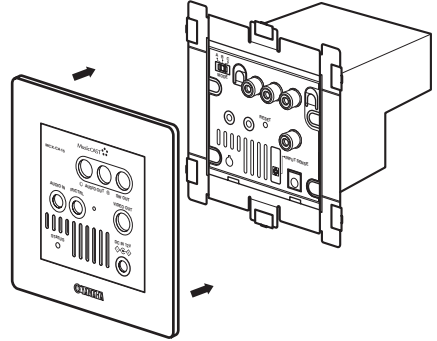
2 Slide the MODE switch to the left or right to make the desired operation mode setting.

For details about operation modes and their uses, see pages 8 and 9.



3 Press RESET using a ballpoint pen or similar object.

4 Replace the front panel by pressing it gently onto the main unit until it clicks into place.



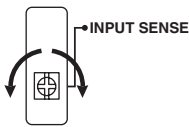
Input level sensing function

In “B” mode, the MCX-CA15 automatically activates (exits sleep mode) when its circuitry senses a signal input from an external source connected to the AUDIO IN jack.

You can use INPUT SENSE to change the detectable signal threshold.

Turn INPUT SENSE to the right to increase the detectable signal threshold.

Turn INPUT SENSE to the left to decrease the detectable signal threshold.

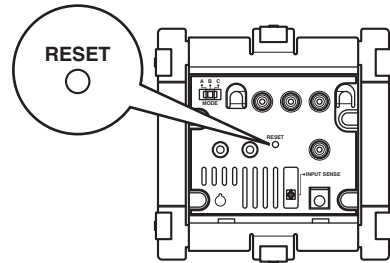


Notes

- If no input source is detected for five minutes or longer, this function automatically switches the MCX-CA15 to sleep mode.
- In sleep mode, output from the MCX-CA15 is muted.
- If you turn INPUT SENSE all the way to the left, the MCX-CA15 always remains in the active state. If you turn it all the way to the right, the MCX-CA15 always remains in sleep mode.
- This function is only available when the MCX-CA15 is set to “B” mode.

RESET button


The RESET button is located on the inside front panel.



Press the RESET button to restart the MCX-CA15 only if:

- The MCX-CA15’s protection circuitry has been activated and the unit has switched itself off.
- You have changed the operation mode using the MODE switch.

Note

When the MCX-CA15 is connected to a client and you want to reset the system, press and hold  on the client for ten seconds.

TROUBLESHOOTING

Refer to the chart below if the MCX-CA15 does not function properly. If the problem you are experiencing is not listed below or if the instruction below does not help, disconnect the power cord, and contact the nearest authorized YAMAHA dealer or service center.

Problem	Cause	Remedy	Refer to page
The AV link technology function does not work correctly.	The signal is weak (for IR flasher connections only).	Position the IR flasher so that it is in clear view of the external component's remote control receiver.	—
The client does not output any sound.	The volume setting of the client is low.	Increase the volume setting.	Quick Manual, page 9
	The speakers are not correctly connected to the MCX-CA15.	Check the connections between the speakers and MCX-CA15.	Install Manual, page 11
Using the MCX-CA15 produces interference noise on nearby radios.	The MCX-CA15 and the radio are too close to each other.	Place the MCX-CA15 and the radio at least one meter apart.	—
The STATUS indicator on the front panel of the MCX-CA15 flashes rapidly.	The cables are not connected correctly.	Connect the cables correctly. When using the MCX-CA15 in the MusicCAST system, press ⏻/ on the client for 10 seconds to reset the system. When using the MCX-CA15 as an amplifier for another system, press RESET on the inside front panel of the MCX-CA15 to reset this unit.	11
	You are using low-impedance speakers.	Use speakers with an impedance of at least 4 Ω . When using the MCX-CA15 in the MusicCAST system, press ⏻/ on the client for 10 seconds to reset the system. When using the MCX-CA15 as an amplifier for another system, press RESET on the inside front panel of the MCX-CA15 to reset this unit.	11

SPECIFICATIONS

AUDIO PERFORMANCE


- Minimum RMS output power
1 kHz, 1% THD..... 13 W + 13 W
- Maximum power (EIAJ)
1 kHz, 10% THD..... 17 W + 17 W or 18 W (1 ch)
- Frequency response (EIAJ) 20 Hz to 20 kHz, ± 1.0 dB
- Total harmonic distortion + noise (EIAJ)..... 0.008%
- Signal to noise ratio (EIAJ)..... 98 dB
- Dynamic range (EIAJ)..... 98 dB
- Input sensitivity/impedance (1 kHz, 1% THD)
Modes A and B..... 220 mV/3 k Ω
Mode C..... 780 mV/3 k Ω
- Output level/impedance
AUDIO OUT (1 kHz, 220 mV input from AUDIO IN)..... 1.0 Vrms/1 k Ω
AUDIO OUT (1 kHz, 0 dB, Volume -20 dB input from the MCX-C15 connected with a 2 m CAT-5 cable (straight))
..... 1.0 Vrms/1 k Ω
SW OUT (50 Hz, 220 mV input from AUDIO IN) 1.0 Vrms/2.1 k Ω

GENERAL

- Power supply AC 100 to 240 V, 50/60 Hz
- Power consumption 40 W
- Operation temperature +5°C to +35°C
- Dimensions (W x H x D)..... 120 x 120 x 105 mm (4-3/4" x 4-3/4" x 4-3/16")
- Weight (without AC adaptor) 0.6 kg (1 lb 5 oz)

* The above specifications are subject to change without notice.

ATTENTION: VEUILLEZ LIRE CE QUI SUIT AVANT D'UTILISER L'APPAREIL.

- 1 Pour profiter au mieux de votre acquisition, lisez attentivement ce mode d'emploi. Conservez-le soigneusement pour référence.
- 2 Installez les appareils dans un endroit bien aéré, frais, sec et propre, loin de la lumière directe du soleil, des sources de chaleur, des vibrations, de la poussière, de l'humidité. Ménagez un espace d'au moins 10 cm au-dessus, au-dessous, à droite et à gauche. Veillez également à ce que le panneau arrière des appareils ne touche pas le mur.
- 3 Placez les appareils loin des équipements, moteurs et transformateurs électriques, pour éviter les ronflements parasites.
- 4 N'exposez pas les appareils à des variations brutales de température, ne les placez pas dans un environnement très humide (par exemple dans une pièce contenant un humidificateur) car cela peut entraîner la condensation d'humidité à l'intérieur des appareils qui elle-même peut être responsable de secousse électrique, d'incendie, de dommage à l'appareil ou de blessure corporelle.
- 5 Évitez d'installer ces appareils dans un endroit où ils peuvent être exposés à la chute d'objet ou aux éclaboussures de liquides. Sur le dessus de ces appareils, **NE PLACEZ PAS**:
 - Un autre appareil car cela peut entraîner une décoloration ou un endommagement de leur surface.
 - Un objet allumé (par exemple, une bougie) car cela peut provoquer un incendie, endommager les appareils ou entraîner des blessures corporelles.
 - Un récipient contenant un liquide car il peut se renverser, ce qui pourrait vous exposer à une secousse électrique et endommager les appareils.
- 6 Afin de ne pas empêcher l'évacuation de la chaleur, ne recouvrez pas ces appareils d'un journal, d'une nappe, d'un rideau, etc. Si la température à l'intérieur d'un appareil devient excessive, il peut en résulter un incendie, un endommagement ou une blessure corporelle.
- 7 Ne branchez pas la fiche du cordon d'alimentation sur une prise secteur aussi longtemps que tous les raccordements ne sont pas terminés.
- 8 Ne faites pas fonctionner ces appareils à l'envers. Leur température peut s'élever anormalement et provoquer un dommage.
- 9 N'exercez aucune force excessive sur les commutateurs, les boutons et les cordons.
- 10 Pour débrancher la fiche du cordon d'alimentation au niveau de la prise secteur, saisissez la fiche et ne tirez pas sur le cordon.
- 11 Ne nettoyez pas les appareils au moyen d'un solvant chimique, ce qui pourrait endommager leur finition. Utilisez un chiffon sec et propre.
- 12 N'alimentez les appareils qu'à partir de la tension prescrite. Alimenter les appareils sous une tension plus élevée est dangereux et peut être la cause d'incendie, de dommage à l'appareil ou de blessure corporelle. YAMAHA ne saurait être tenue responsable des dommages résultant de l'alimentation de l'appareil sous une tension autre que celle prescrite.
- 13 Pour empêcher tout dommage causé par les éclairs, débranchez le cordon d'alimentation au niveau de la prise murale pendant un orage.
- 14 Ne tentez pas de modifier ni de réparer les appareils. Consultez le service YAMAHA compétent pour toute réparation qui serait requise. Le coffret ne doit jamais être ouvert pour quelque raison que ce soit.
- 15 Lorsque vous envisagez de ne pas utiliser ces appareils pendant une longue période (par exemple, pendant vos vacances), débranchez la fiche du cordon d'alimentation au niveau de la prise secteur.
- 16 Lisez attentivement la section "GUIDE DE DÉPANNAGE" du mode d'emploi du MCX-C15 ou du MCX-CA15 avant de conclure que l'un ou l'autre de ces appareils est défectueux.
- 17 Avant de déplacer un appareil, appuyez sur /I, sur le MCX-C15, pour les placer en veille puis débranchez la fiche du cordon d'alimentation au niveau de la prise secteur.
- 18 Veillez à utiliser l'adaptateur secteur (LSE0215C1240) fourni avec le MCX-C15. L'utilisation d'un adaptateur secteur autre que celui fourni peut provoquer un incendie ou endommager ces appareils.
- 19 Ces appareils ont été conçus pour un usage strictement domestique. N'utilisez pas ces appareils dans une voiture, etc. Faute de quoi ils pourraient présenter des anomalies de fonctionnement.

Ces appareils ne sont pas isolés du secteur aussi longtemps qu'ils demeurent reliés à une prise secteur, y compris lorsqu'ils ne sont pas en service. Ils se trouvent alors "en veille". En veille, ces appareils consomment une très faible quantité d'électricité.

AVERTISSEMENT

POUR RÉDUIRE LES RISQUES D'INCENDIE OU DE SECOUSSE ÉLECTRIQUE, N'EXPOSEZ PAS CES APPAREILS À LA PLUIE OU À L'HUMIDITÉ.

Pour les consommateurs Canadiens

Pour éviter toute secousse électrique, présentez la fiche du cordon d'alimentation de manière que la lame large soit en regard de la fente large et introduisez la prise à fond.

Cet appareil numérique de la classe B est conforme à la norme NMB-003 du Canada.

AVERTISSEMENT

La pile peut exploser si elle n'est pas convenablement installée. Remplacez la pile par la même pile ou son équivalent.

TABLE DES MATIÈRES

INTRODUCTION

PARTICULARITÉS	2
ACCESSOIRES FOURNIS	3
COMMANDES ET FONCTIONS	4
Face avant	4
Derrière la face avant.....	5
Panneau arrière	6
Fond	7

UTILISATION DU MCX-CA15

FONCTIONNEMENT	8
Modes de fonctionnement	8
Détection du niveau d'entrée.....	11
Touche RESET	11

INFORMATIONS COMPLÉMENTAIRES

GUIDE DE DÉPANNAGE	12
CARACTÉRISTIQUES TECHNIQUES	13

PARTICULARITÉS

Le MusicCAST MCX-CA15 Unité D'Amplification (ci-après, le "MCX-CA15") a été conçu pour délivrer 34 W (17 W par voie) et être associé au MusicCAST MCX-C15 Unité De Contrôle Audio (ci-après le "client") de manière à constituer le système MusicCAST; il peut également être employé comme amplificateur d'une chaîne stéréophonique. Lorsqu'il est associé à un client, le MCX-CA15 fonctionne comme un amplificateur de puissance et une source de courant continu; il est alors entièrement réglable à partir du client. Le MCX-CA15 fournit aux enceintes reliées une puissance de qualité et permet l'affichage sur l'écran du téléviseur ou du moniteur (OSD) connectés au client des informations fournis par ce dernier. Lorsqu'il est utilisé comme amplificateur indépendant, le MCX-CA15 présente une grande souplesse puisque deux modes de fonctionnement différents sont alors disponibles.

Le MCX-CA15 a été conçu pour vous apporter les possibilités suivantes:

- ◆ Commutateur de sélection de mode de fonctionnement à trois positions pour aider à la personnalisation
- ◆ Puissance de sortie haute fidélité pouvant atteindre 34 W (17 W par voie)
- ◆ Présentation contemporaine encastrée avec face avant pouvant être peinte en harmonie avec le décor intérieur
- ◆ Bornes encastrées pour les enceintes et le caisson de graves
- ◆ Sortie préamplificateur pour alimenter une chaîne extérieure
- ◆ Sortie de la vidéo de l'affichage sur écran permettant de présenter les menus sur un téléviseur ou un moniteur (dans le cas de l'association avec un client)
- ◆ Sortie du dispositif infrarouge par le truchement de la technique de liaison audiovisuelle YAMAHA (dans le cas de l'association avec un client)
- ◆ Alimentation continue du client

Quelques mots sur ce mode d'emploi

- Le symbole ⓘ appelle votre attention sur un conseil d'utilisation.
- Pour de plus amples détails concernant l'installation et la configuration du réseau, reportez-vous au manuel d'installation fourni.
- Ce mode d'emploi a été imprimé avant la fabrication de l'appareil. Les caractéristiques et la présentation ont pu être modifiées à fin d'amélioration, etc. En cas de divergence entre le mode d'emploi et l'appareil, ce dernier prime.

Cet appareil doit être installé par un technicien compétent, de la manière indiquée dans le manuel d'installation fourni. Ne tentez pas d'effectuer vous-même l'installation de cet appareil.

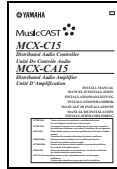
ACCESSOIRES FOURNIS

Après déballage du matériel, veuillez vous assurer que vous possédez bien les postes suivants.

Mode d'emploi (ce document)



Manuel d'installation



Entretoise x 4

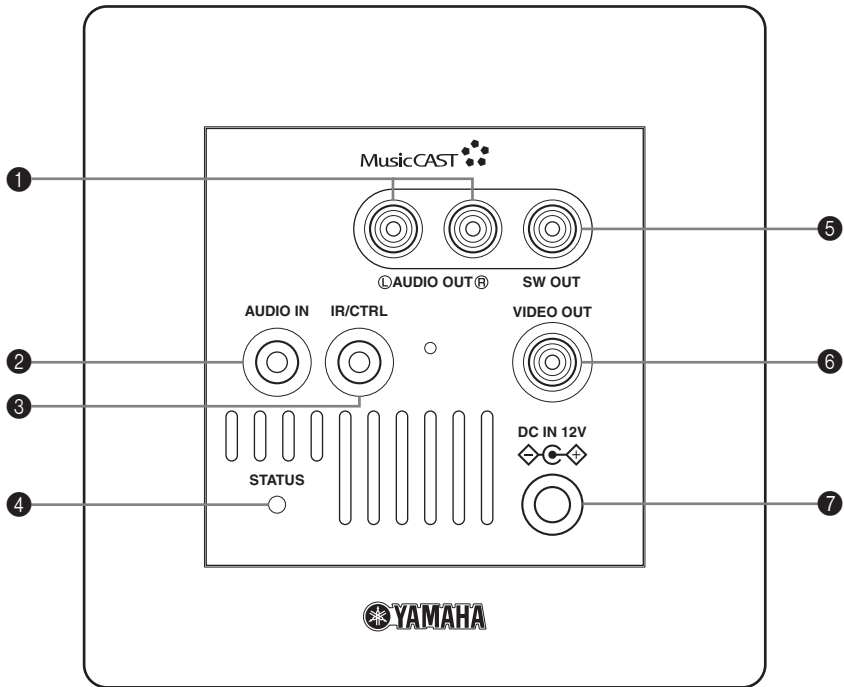


Câble équipé de fiches



COMMANDES ET FONCTIONS

Face avant



1 Prises AUDIO OUT

Reliez ces prises à un récepteur ou un amplificateur (source sonore).

2 Prise AUDIO IN

Reliez cette prise à une source stéréophonique extérieure, par exemple un lecteur de DVD ou un amplificateur de commande, de façon à écouter les signaux provenant de cette source.

3 Prise IR/CTRL

Reliez cette prise à un dispositif infrarouge (émetteur infrarouge) si vous souhaitez être en mesure d'agir sur le récepteur audiovisuel YAMAHA connu du client.

Lorsque cet appareil est relié à un client, cette prise joue le rôle de prise de sortie infrarouge.

Lorsque cet appareil est relié à un appareil extérieur et que le mode de fonctionnement adopté est "C", cette prise joue le rôle de prise d'entrée de commande.

4 Témoin STATUS

Ce témoin s'éclaire lorsque l'appareil est actif (reçoit un signal).

La luminosité s'atténue lorsque l'appareil est en veille.

Ce témoin clignote rapidement lorsque le circuit de protection a été actionné, ou qu'une anomalie s'est produite.

Ce témoin est alternativement totalement éclairé puis peu lumineux pendant 10 secondes lorsque l'appareil est relié à l'alimentation pour la première fois.

5 Prise SW OUT

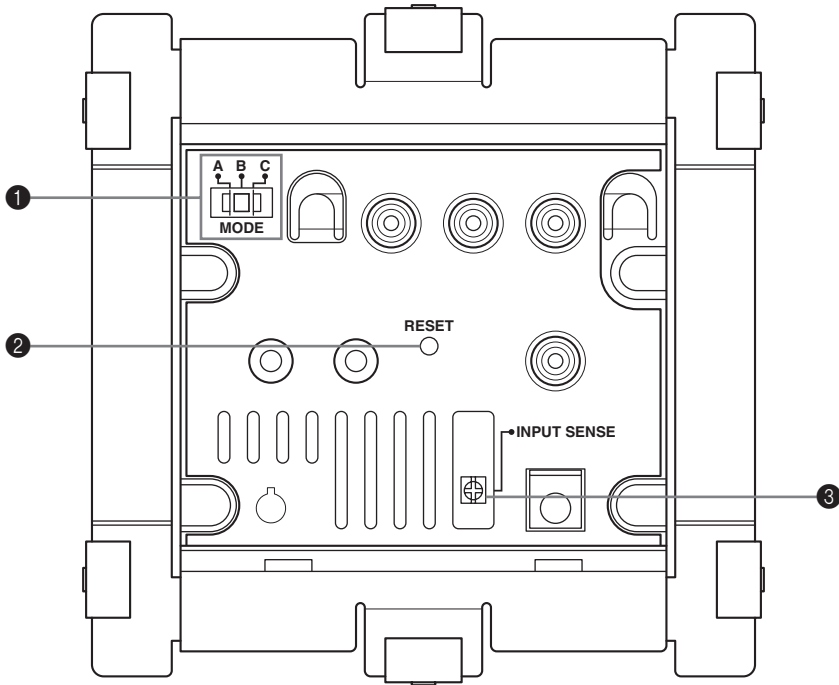
Reliez cette prise à un caisson de graves afin de rehausser les basses fréquences.

6 Prise VIDEO OUT

Reliez cette prise à un téléviseur ou un moniteur si vous désirez que ces appareils affichent les menus proposés par le client.

7 Prise DC IN 12V

Branchez l'adaptateur secteur sur cette prise de manière à alimenter cet appareil ou à un client.

Derrière la face avant**❶ Commutateur MODE**

Ce commutateur permet de sélectionner le mode de fonctionnement: "A", "B" et "C" (reportez-vous à la page 10).

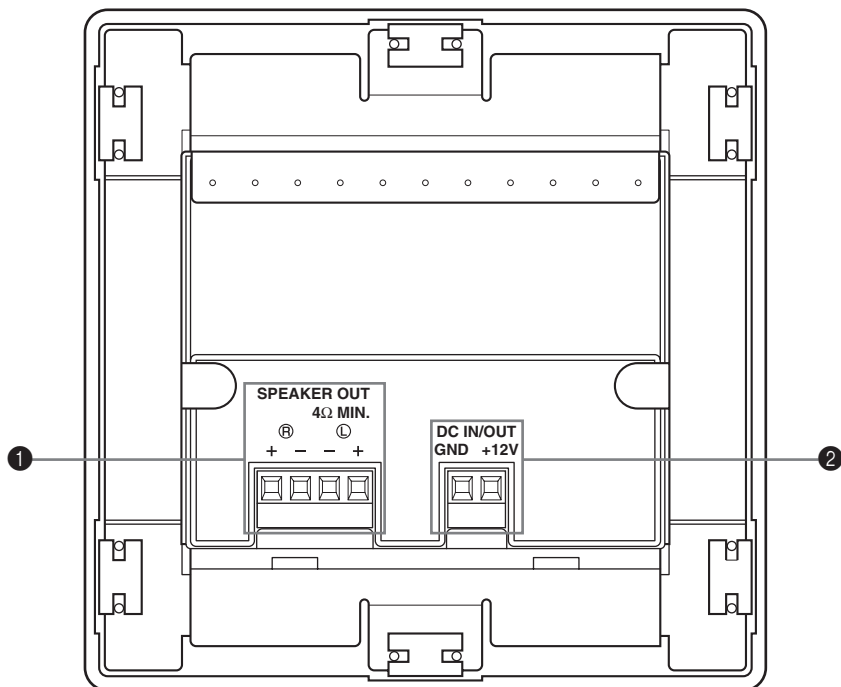
❷ Touche RESET

Cette touche permet de réinitialiser cet appareil après que le circuit de protection a été actionné ou que le mode de fonctionnement a été changé (reportez-vous à la page 11).

❸ INPUT SENSE

Ce détecteur assure la détection des signaux appliqués sur l'entrée AUDIO IN (reportez-vous à la page 11).

Panneau arrière



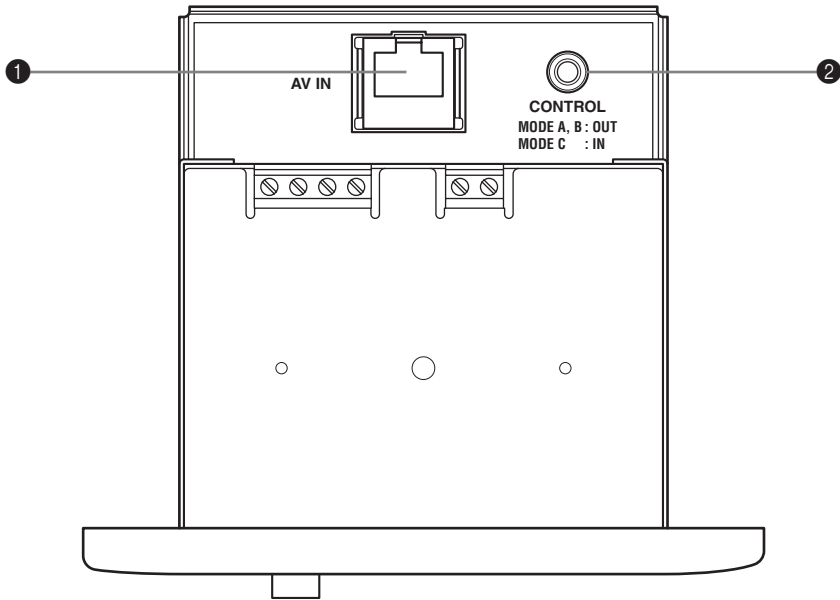
❶ Prises SPEAKER OUT

Reliez ces prises aux enceintes au moyen de câble de liaison disponibles dans le commerce.

❷ Prises DC IN/OUT

Lorsque cet appareil est uniquement relié à un client, reliez ces prises au client par un câble d'alimentation continue.

Lorsque cet appareil est relié à une boîte d'entrée/sortie, utilisez ces prises pour recevoir l'alimentation provenant de la boîte d'entrée/sortie.

Fond**❶ Prise AV IN**

Reliez cette prise à un client au moyen du câble (droit) CAT-5 fourni avec le client; de cette manière, les signaux de sortie du client peuvent être reçus par cet appareil.

❷ Prise CONTROL OUT/IN

Reliez cette prise à un autre MCX-CA15 ou à un appareil extérieur de manière à être en mesure de commander l'alimentation de cet appareil.

FONCTIONNEMENT

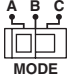
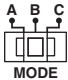
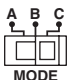
Modes de fonctionnement

Le MCX-CA15 possède trois modes de fonctionnement offrant une grande souplesse. Avant d'utiliser le MCX-CA15, vous devez adopter le mode de fonctionnement, "A", "B" ou "C", qui convient compte tenu de la configuration du système.

AVERTISSEMENT

Veillez à choisir le mode de fonctionnement du MCX-CA15 avant d'effectuer le raccordement au secteur.

■ Modes de fonctionnement

Mode	Usage
Mode A 	Utilisez ce mode dans le cas où le MCX-CA15 est associé à un client. Avec ce mode, vous pouvez agir sur un récepteur audiovisuel YAMAHA relié au MCX-CA15 ou à la boîte d'entrée/sortie en vous servant du boîtier de télécommande du MCX-C15*, et cela grâce à la technique de liaison YAMAHA AV. Dans cette situation, le MCX-CA15 peut être entièrement commandé à partir du client.
Mode B 	Utilisez ce mode dans le cas où le MCX-CA15 doit être l'amplificateur d'un système autre que le système MusicCAST et dans le cas où vous désirez mettre en service ou en veille le MCX-CA15 en fonction du signal délivré par le détecteur de niveau d'entrée*. Dans cette situation, l'alimentation du MCX-CA15 est commandée par les signaux audio provenant de l'appareil extérieur relié.
Mode C 	Utilisez ce mode dans le cas où le MCX-CA15 doit être l'amplificateur d'un système autre que le système MusicCAST et dans le cas où vous ne désirez pas tenir compte du signal délivré par le détecteur de niveau d'entrée*. Dans cette situation, l'alimentation du MCX-CA15 est commandée par les signaux de contrôle provenant de l'appareil extérieur relié.

* Pour de plus amples détails concernant la détection des signaux appliqués à l'entrée, reportez-vous à la page page 11.

AVERTISSEMENT

Avec les modes "B" et "C", vous ne pouvez pas régler le niveau sonore à partir du MCX-CA15. Les signaux d'entrée appliqués sur la prise AUDIO IN ne sont pas convertis avant d'être dirigés vers la sortie. Si des sons puissants sont émis, les enceintes peuvent être endommagées. Avant de procéder à l'écoute des signaux fournis par un appareil, réglez le niveau de sortie au minimum.

Remarques

- Le mode "B" étant choisi, si aucun signal n'est détecté pendant cinq minutes, le MCX-CA15 passe en veille.
- Le mode "B" ou "C" étant choisi et un appareil étant relié à la prise AUDIO IN, le réglage d'entrée par défaut est "AUDIO IN". Si, par contre, aucun appareil n'est relié, le réglage par défaut est "AV IN".
- Avant de relier un appareil à la prise AUDIO IN, ou de la séparer de cette prise, n'oubliez pas de débrancher fiche du cordon d'alimentation du MCX-CA15 au niveau de la prise secteur.

■ Comparaison entre modes et grandes lignes de fonctionnement

Mode	Prise IR/CTRL de la face avant	Prise CONTROL IN/OUT sur le panneau de fond	Mise en veille automatique et détection du niveau d'entrée
Mode A	Sortie infrarouge (grâce à la technique de liaison YAMAHA AV)	Sortie des commandes	Non
Mode B	(Non disponible)	Sortie des commandes	Oui
Mode C	Entrée des commandes	Entrée des commandes	Non

Le rôle de chaque prise est le suivant:

Sortie infrarouge

La prise IR/CTRL de la face avant, joue le rôle de prise de sortie infrarouge lorsque l'appareil est en mode "A". Vous pouvez relier à cette prise un dispositif infrarouge de façon à commander un récepteur audiovisuel YAMAHA AV grâce à la technique de liaison YAMAHA AV.

Remarque

Cet appareil ne prend en compte que la fréquence de modulation infrarouge de 38 kHz.

Sortie des commandes

La prise CONTROL IN/OUT du panneau de fond joue le rôle de prise de sortie des commandes lorsque l'appareil est en mode "A" ou "B". Dans cette situation, l'appareil peut fournir, sur cette prise, une alimentation dont la tension peut être comprise entre 3 à 30 V. Vous pouvez relier un autre MCX-CA15 sur cette prise et l'alimentation de ce MCX-CA15 peut alors être commandée.

Entrée des commandes

La prise IR/CTRL de la face avant et la prise CONTROL IN/OUT du panneau de fond jouent le rôle de prises d'entrée des commandes lorsque l'appareil est en mode "C". Dans cette situation, l'appareil peut détecter la présence sur ces prises d'une tension comprise entre 3 à 30 V. Vous pouvez relier un autre MCX-CA15 ou un appareil extérieur à ces prises de manière à être en mesure de commander l'alimentation de cet appareil.

■ **Pour sélectionner le mode de fonctionnement**

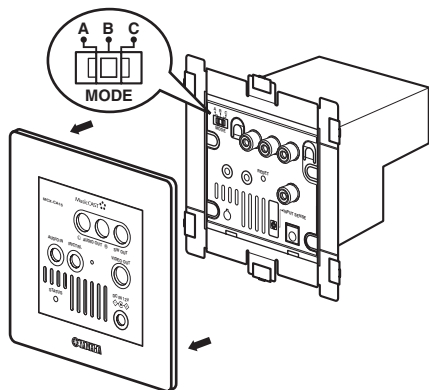
Vous pouvez choisir le mode de fonctionnement du MCX-CA15 en faisant glisser, vers la gauche ou vers la droite, le commutateur MODE placé sur le panneau frontal intérieur.

AVERTISSEMENT

- Assurez-vous que le mode de fonctionnement est correct avant d'effectuer une configuration automatique ou manuelle du client.
- N'oubliez pas d'appuyer sur RESET après avoir changé le mode de fonctionnement.

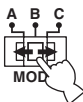
1 Saisissez doucement la face avant et tirez-la à vous pour la séparer de l'appareil.

Le commutateur MODE est maintenant visible, dans le coin supérieur gauche du panneau frontal intérieur.



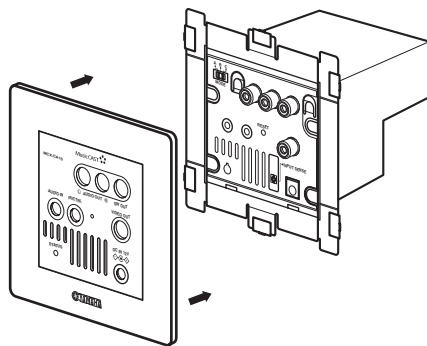
2 Faites glisser le commutateur MODE vers la gauche ou vers la droite, en fonction du mode de fonctionnement désiré.

Pour de plus amples détails concernant les modes de fonctionnement possibles et leur emploi, reportez-vous aux pages 8 et 9.



3 Appuyez sur RESET au moyen de la pointe d'un stylo à bille ou d'un objet similaire.

4 Remplacez la face avant et assurez son maintien en l'engageant dans la carrosserie de l'appareil.



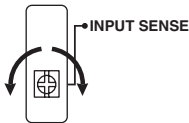
Détection du niveau d'entrée

En mode "B", le MCX-CA15 se met automatiquement en service (il quitte la veille) lorsque ces circuits détectent la présence d'un signal d'entrée provenant d'une source extérieure reliée à la prise AUDIO IN.

Vous pouvez utiliser le potentiomètre INPUT SENSE pour modifier le seuil de détection.

Tournez le potentiomètre INPUT SENSE vers la droite pour augmenter le seuil de détection du signal.

Tournez le potentiomètre INPUT SENSE vers la gauche pour diminuer le seuil de détection du signal.

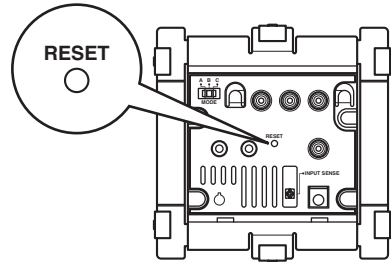


Remarques

- Si aucun signal n'est détecté pendant cinq minutes, le MCX-CA15 est automatiquement replacé en veille.
- En veille, la sortie du MCX-CA15 est coupée.
- Si vous tournez le potentiomètre INPUT SENSE à fond sur la gauche, le MCX-CA15 demeure en permanence en service. Si vous tournez le potentiomètre à fond sur la droite, le MCX-CA15 demeure en permanence en veille.
- Cette fonction de détection n'existe que pour le MCX-CA15 en mode "B".

Touche RESET

La touche RESET est placée sur le panneau frontal intérieur.



N'appuyez sur la touche RESET pour réinitialiser le MCX-CA15 que si:


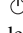
- Le circuit de protection du MCX-CA15 a été actionné, ce qui a provoqué la mise hors service de l'appareil.
- Vous avez changé la position du commutateur MODE.

Remarque

Si le MCX-CA15 est relié à un client et si vous désirez réinitialiser le système, maintenez la pression d'un doigt sur la touche O/I du client pendant dix secondes.

GUIDE DE DÉPANNAGE

Si vous avez le sentiment que le MCX-CA15 ne fonctionne pas convenablement, consultez le tableau ci-dessous. Si l'anomalie constatée n'est pas mentionnée, ou encore si les actions correctives suggérées sont sans effet, débranchez la fiche du cordon d'alimentation et prenez contact avec le revendeur ou le service après-vente YAMAHA.

Anomalies	Causes possibles	Actions correctives	Reportez-vous à la page
La liaison audiovisuelle ne fonctionne pas convenablement.	Le signal est trop faible (cela ne concerne que le dispositif infrarouge).	Placez le dispositif infrarouge en vue directe du capteur de télécommande de l'appareil extérieur.	—
Le client ne produit aucun son.	Le niveau sonore émis par le client est faible.	Augmentez le niveau sonore.	Manuel de référence, page 9
	Les enceintes ne sont pas convenablement reliées au MCX-CA15.	Vérifiez les liaisons entre les enceintes et le MCX-CA15.	Manuel d'installation, page 11
L'utilisation du MCX-CA15 brouille le poste de radio voisin.	Le MCX-CA15 et la radio sont trop proches.	Ménagez au moins un mètre entre le MCX-CA15 et la radio.	—
Le témoin STATUS, sur la face avant du MCX-CA15, clignote rapidement.	Les câbles ne sont pas convenablement raccordés.	Raccordez les câbles comme il convient. Si le MCX-CA15 est utilisé dans le système MusicCAST, appuyez pendant 10 secondes sur la touche  du client afin de réinitialiser le système. Si le MCX-CA15 est utilisé comme amplificateur pour un autre système, appuyez sur la touche RESET, derrière la face avant du MCX-CA15, de manière à réinitialiser cet appareil.	11
	L'impédance des enceintes est faible.	Utilisez des enceintes dont l'impédance est au moins égale à 4 Ω. Si le MCX-CA15 est utilisé dans le système MusicCAST, appuyez pendant 10 secondes sur la touche  du client afin de réinitialiser le système. Si le MCX-CA15 est utilisé comme amplificateur pour un autre système, appuyez sur la touche RESET, derrière la face avant du MCX-CA15, de manière à réinitialiser cet appareil.	11

CARACTÉRISTIQUES TECHNIQUES

PERFORMANCES AUDIO

- Puissance de sortie minimum efficace
1 kHz, DHT 1% 13 W + 13 W
- Puissance maximale (EIAJ)
1 kHz, DHT 10% 17 W + 17 W ou 18 W (1 voie)
- Réponse en fréquence (EIAJ) 20 Hz à 20 kHz, $\pm 1,0$ dB
- Distorsion harmonique totale + bruit (EIAJ) 0,008%
- Rapport signal/bruit (EIAJ) 98 dB
- Dynamique (EIAJ) 98 dB
- Sensibilité et impédance d'entrée (1 kHz, DHT 1%)
Modes A et B 220 mV/3 k Ω
Mode C 780 mV/3 k Ω
- Niveau et impédance de sortie
AUDIO OUT (entrée 1 kHz, 220 mV en provenance de AUDIO IN) 1,0 Veff./1 k Ω
AUDIO OUT (1 kHz, 0 dB, Niveau d'entrée -20 dB en provenance du MCX-C15 relié à un câble (droit) CAT-5 de 2 m)
..... 1,0 Veff./1 k Ω
SW OUT (entrée 50 Hz, 220 mV en provenance de AUDIO IN) 1,0 Veff./2,1 k Ω

GÉNÉRALITÉS

- Alimentation 100 V à 240 V, 50/60 Hz
- Consommation 40 W
- Température de fonctionnement +5°C à +35°C
- Dimensions (L x H x P) 120 x 120 x 105 mm
- Poids (sans l'adaptateur secteur) 0,6 kg

* Les caractéristiques peuvent être modifiées sans avis préalable.

VORSICHT VOR DER INBETRIEBNAHME IHRES GERÄTES DURCHLESEN.

- 1 Um optimales Leistungsvermögen sicherzustellen, lesen Sie diese Anleitung aufmerksam durch. Bewahren Sie diese danach für zukünftige Nachschlagzwecke an einem sicheren Ort auf.
- 2 Installieren Sie diese Einheiten an einem gut belüfteten, kühlen, trockenen, sauberen Ort, entfernt von direktem Sonnenlicht, Wärmequellen, Vibrationen, Staub, Feuchtigkeit und/oder Kälte. Halten Sie einen Belüftungsabstand von mindestens 10 cm an der Oberseite, an der Unterseite sowie links und rechts ein. Stellen Sie auch sicher, dass die Rückseite dieser Geräte nicht die dahinter liegende Wand berührt.
- 3 Ordnen Sie diese Geräte entfernt von anderen elektrischen Haushaltgeräten, Motoren oder Transformatoren an, um Brummgeräusche zu vermeiden.
- 4 Setzen Sie diese Geräte können plötzlichen Temperaturänderungen von kalt auf warm aus, und ordnen Sie diese Geräte nicht in einem Umfeld mit hoher Luftfeuchtigkeit an (z.B. in einem Raum mit Luftbefeuchter), um Kondensation im Inneren der Geräte zu vermeiden, da diese zu elektrischen Schlägen, Feuer, Beschädigung dieser Geräte und/oder persönlichen Verletzungen führen kann.
- 5 Vermeiden Sie eine Installation dieser Geräte an Orten, an welchen Objekte auf diese Geräte fallen können und/oder diese Geräte Flüssigkeitstropfen oder Flüssigkeitsspritzern ausgesetzt werden können. Stellen Sie Folgendes NICHT auf diesen Geräten ab:
 - Andere Komponenten, da diese die Oberfläche dieser Geräte beschädigen und/oder verfärben können.
 - Brennende Objekte (wie zum Beispiel brennende Kerzen), da diese Feuer verursachen und diese Geräte beschädigen und/oder persönliche Verletzungen verursachen können.
 - Mit Flüssigkeit gefüllte Behälter, da diese umfallen und die Flüssigkeit zu elektrischen Schlägen für den Anwender und/oder Beschädigung dieser Geräte führen können.
- 6 Decken Sie diese Geräte niemals mit einer Zeitung, einem Tischtuch, einem Vorhang usw. ab, damit nicht die Wärmeabfuhr behindert wird. Falls die Temperatur an der Innenseite dieser Geräte ansteigt, kann es zu Feuer, Beschädigung dieser Geräte und/oder persönlichen Verletzungen kommen.
- 7 Schließen Sie den Netzstecker dieser Geräte erst dann an eine Netzdose an, wenn alle anderen Anschlüsse ausgeführt wurden.
- 8 Betreiben Sie diese Geräte niemals im umgekehrten Zustand. Die Geräte könnten überhitzt und möglicherweise beschädigt werden.
- 9 Wenden Sie keine Kraft an den Schaltern, Knöpfen und/oder Kabeln an.
- 10 Wenn Sie das Netzkabel von der Netzdose abtrennen, ziehen Sie immer an dem Netzstecker und niemals an dem Kabel.
- 11 Reinigen Sie diese Geräte niemals mit chemischen Lösungsmittel; dadurch könnte das Finish beschädigt werden. Verwenden Sie ein sauberes, trockenes Tuch.
- 12 Verwenden Sie nur die für diese Geräte vorgeschriebene Netzspannung. Die Verwendung diese Geräte mit einer höheren als der vorgeschriebenen Spannung ist gefährlich und kann zu Feuer, Beschädigung dieser Geräte und/oder persönlichen Verletzungen führen. YAMAHA haftet nicht für Beschädigungen, die auf die Verwendung dieser Geräte mit einer anderen als der vorgeschriebenen Netzspannung zurückzuführen sind.

- 13 Um Beschädigung durch Blitzschlag zu vermeiden, ziehen Sie den Netzstecker während eines Gewitters von der Netzdose ab.
- 14 Versuchen Sie niemals diese Geräte zu modifizieren oder selbst zu reparieren. Wenden Sie sich an qualifiziertes YAMAHA-Kundendienstpersonal, wenn eine Wartung erforderlich ist. Das Gehäuse sollte unter keinen Umständen geöffnet werden.
- 15 Falls diese Geräte für längere Zeit nicht verwendet werden sollen (wie zum Beispiel während Ihres Urlaubs), ziehen Sie den Netzstecker von der Netzdose ab.
- 16 Lesen Sie unbedingt den Abschnitt „STÖRUNGSBESEITIGUNG“ über häufig auftretende Bedienungsfehler in der MCX-C15 Bedienungsanleitung oder in der MCX-CA15 Bedienungsanleitung durch, bevor Sie annehmen, dass eines oder beide dieser Geräte defekt sind.
- 17 Bevor Sie diese Geräte bewegen, drücken Sie $\odot/|$ an dem MCX-C15, um diesen in den Schlafmodus zu schalten, und ziehen Sie den Netzstecker von der Netzdose ab.
- 18 Verwenden Sie unbedingt das Netzteil (LSE0215C1240), das mit dem MCX-C15 mitgeliefert wird. Die Verwendung eines anderen als des mitgelieferten Netzteils kann zu Feuer oder Beschädigung dieser Geräte führen.
- 19 Diese Geräte sind nur für die Verwendung in Räumen ausgelegt. Verwenden Sie diese Geräte niemals in einem Kraftfahrzeug usw. Anderenfalls kann es zu Fehlbetrieb dieser Geräte kommen.

Diese Geräte sind nicht vom Stromnetz getrennt, so lange der Netzstecker an eine Netzdose angesteckt ist, auch wenn die Geräte selbst ausgeschaltet sind. Dieser Status wird als Schlafmodus bezeichnet. In diesem Status verbrauchen diese Geräte eine sehr geringe Strommenge.

WARNING

UM DAS RISIKO VON FEUER UND ELEKTRISCHEN SCHLÄGEN ZU REDUZIEREN, SETZEN SIE DIESE GERÄTE NIEMALS REGEN ODER FEUCHTIGKEIT AUS.

VORSICHT

Es besteht Explosionsgefahr, wenn die Batterie falsch ausgetauscht wird. Tauschen Sie diese nur durch den gleichen oder einen äquivalenten Typ aus.

INHALTSVERZEICHNIS

EINLEITUNG

VERWENDUNG
DES MCX-CA15

ZUSÄTZLICHE
INFORMATIONEN

Deutsch

EINLEITUNG

MERKMALE	2
MITGELIEFERTES ZUBEHÖR.....	3
BEDIENUNGSELEMENTE UND IHRE FUNKTIONEN	4
Frontblende.....	4
Innenseite der Frontblende	5
Rückwand	6
Bodenplatte.....	7

VERWENDUNG DES MCX-CA15

BEDIENUNG.....	8
Betriebsmodi.....	8
Eingangspiegel-Sensorfunktion.....	11
RESET-Taste.....	11

ZUSÄTZLICHE INFORMATIONEN


STÖRUNGSBESEITIGUNG.....	12
TECHNISCHE DATEN	13

MERKMALE

Der MusicCAST MCX-CA15 Distributed Audio Amplifier (nachfolgend „MCX-CA15“ genannt) weist eine Ausgangsleistung von 34 W (17 W pro Kanal) auf und wurde so konstruiert, dass er in Verbindung mit dem MusicCAST MCX-C15 Distributed Audio Controller (nachfolgend „Client“ genannt) das MusicCAST System bildet, oder als Verstärker in eine bestehende Audio-Anlage integriert werden kann. Als Begleiter Ihres Clients funktioniert der MCX-CA15 als Leistungsverstärker und Gleichstromverteiler und kann vollständig von dem Client aus gesteuert werden. Er liefert hochwertige Leistung an alle angeschlossenen Lautsprecher und kann den Bildschirmdialog (On-Screen-Display = OSD) Ihres Clients auf einem an den MCX-CA15 angeschlossenen Fernseher oder Monitor anzeigen. Als autonomer Verstärker, bietet der MCX-CA15 Flexibilität mit zwei unterschiedlichen Betriebsmodi, aus welchen Sie wählen können. Der MCX-CA15 ist so ausgelegt, dass er Ihnen die folgenden Merkmale bietet:

- ◆ Betriebsmodus-Wahlschalter mit drei Einstellungen für anwenderspezifische Verwendung
- ◆ Bis zu 34 W (17 W pro Kanal) hochwertiger Ausgangsleistung
- ◆ Modernes Wanddesign mit bemalbarer Frontplatte, um in jede Wohnlandschaft zu passen
- ◆ Ausgangsklemmen für Lautsprecher und Subwoofer für den Wandeinbau
- ◆ Wählbarer Vorverstärker Ausgang für die Verwendung mit einer externen Audio-Anlage
- ◆ On-Screen-Videoausgang für die Menüanzeige an einem Fernseher oder Monitor, wenn ein solcher mit dem Client verwendet wird
- ◆ Ausgang für Infrarot-Blinkeinrichtung unter Verwendung der YAMAHA AV-Link-Technologie, wenn mit einem Client verwendet
- ◆ Gleichstromausgang für einen Client

Über diese Anleitung

-  zeigt einen Tipp für Ihre Bedienung an.
- Für Einzelheiten über die Installation und die Netzwerk-Konfiguration siehe die mitgelieferte Installationsanleitung.
- Diese Anleitung wurde vor der Produktion gedruckt. Änderungen des Designs und der technischen Daten im Sinne ständiger Verbesserungen usw. vorbehalten. Im Falle einer Differenz zwischen der Anleitung und dem Produkt, weist das Produkt Priorität auf.

Dieses Gerät muss von einem qualifizierten Techniker installiert werden, wie es in der mitgelieferten Installationsanleitung angegeben ist. Versuchen Sie niemals selbst dieses Gerät zu installieren.

MITGELIEFERTES ZUBEHÖR

Nach dem Auspacken überprüfen Sie, dass Sie alle der folgenden Teile erhalten haben.

Bedienungsanleitung (diese Anleitung)



Installationsanleitung



Abstandhalter x 4

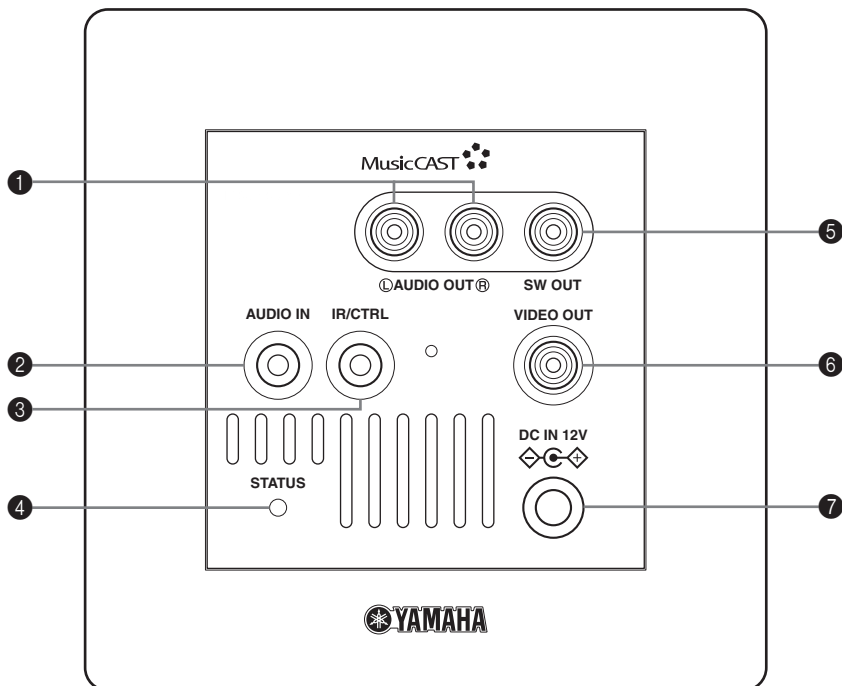


Cinch/Mini-Klinken-Kabel



BEDIENUNGSELEMENTE UND IHRE FUNKTIONEN

Frontblende



1 AUDIO OUT-Buchsen

Schließen Sie einen Empfänger oder Verstärker (Audio-Eingangsquelle) an diese Buchsen an.

2 AUDIO IN-Buchse

Schließen Sie eine externe Stereo-Quelle, wie zum Beispiel einen DVD-Player oder einen Steuerungsverstärker an diese Buchse an, wenn Sie den Ton von dieser Quelle hören möchten.

3 IR/CTRL-Buchse

Schließen Sie eine Infrarot-Blinkeinrichtung (Infrarotsender) an diese Buchse an, wenn Sie eine an dem Client registrierten YAMAHA AV-Empfänger steuern möchten.

Wenn dieses Gerät an einen Client angeschlossen ist, funktioniert diese Buchse als Infrarot-Ausgangsbuchse. Wenn dieses Gerät an eine externe Komponente angeschlossen ist und der Betriebsmodus „C“ verwendet wird, dann funktioniert diese Buchse als Steuerungseingangsbuchse.

4 STATUS Anzeige

Leuchtet auf, wenn dieses Gerät aktiv ist (wenn es ein Signal empfängt).

Verblasst, wenn sich dieses Gerät in dem Schlafmodus befindet. Blinkt schnell, wenn die Schutzschaltung aufgrund einer Abnormalität aktiviert wurde.

Wechselt zwischen Dauerlicht und Abblendlicht für 10 Sekunden, wenn dieses Gerät zuerst an eine Stromquelle angeschlossen wird.

5 SW OUT-Buchse

Schließen Sie einen Subwoofer an diese Buchse an, um die Bassfrequenzen zu betonen.

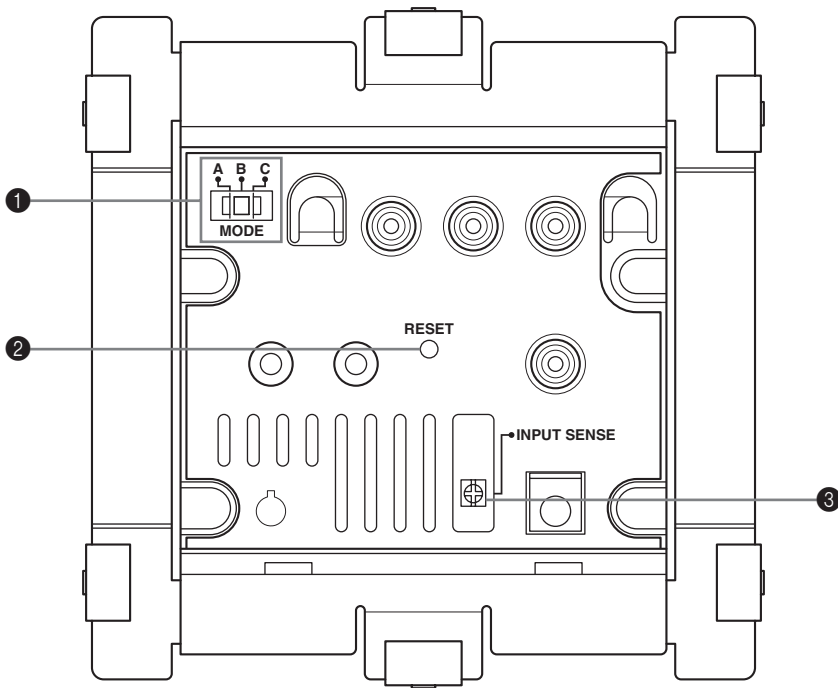
6 VIDEO OUT-Buchse

Schließen Sie einen Fernseher oder einen Monitor an diese Buchse an, wenn Sie das On-Screen-Menü des Clients am Fernseher/Monitor anzeigen möchten.

7 DC IN 12V-Buchse

Schließen Sie das Netzteil an diese Buchse an, um dieses Gerät mit Strom zu versorgen oder den Strom an einen Client zu verteilen.

Innenseite der Frontblende



❶ MODE-Schalter

Schaltet zwischen den Betriebsmodi „A“, „B“ und „C“ um (siehe Seite 10).

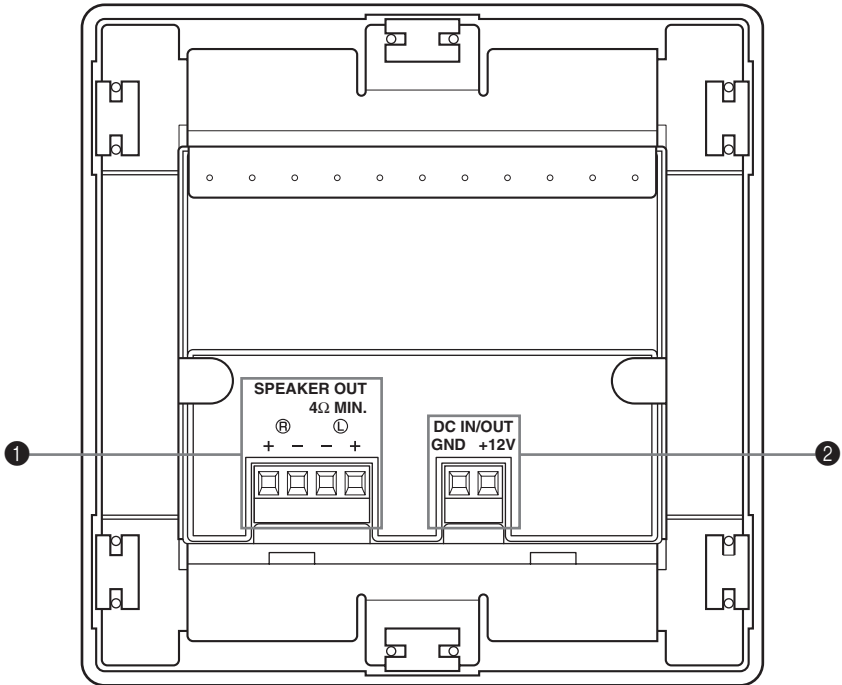
❷ RESET-Taste

Stellt dieses Gerät zurück, nachdem die Schutzschaltung aktiviert oder der Betriebsmodus geändert wurde (siehe Seite 11).

❸ INPUT SENSE

Stellt das Vorhandensein der an der AUDIO IN-Buchse eingegebenen Signale fest (siehe Seite 11).

Rückwand

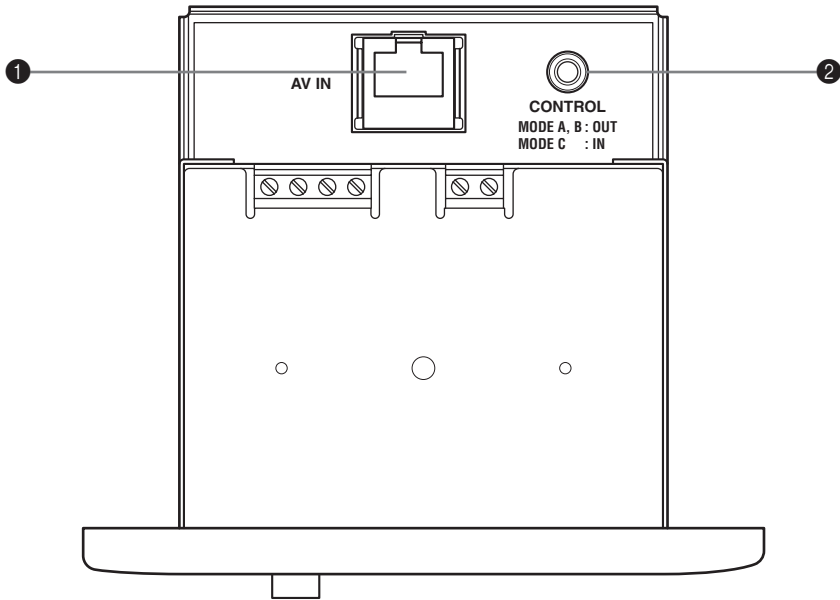


❶ SPEAKER OUT Klemmen

Schließen Sie Lautsprecher an diese Buchsen an, indem Sie im Fachhandel erhältliche Lautsprecherkabel verwenden.

❷ DC IN/OUT Klemmen

Wenn dieses Gerät nur an einen Client angeschlossen ist, schließen Sie das Gleichstromkabel an diese Klemmen an, um den Client mit Strom zu versorgen.
 Wenn dieses Gerät an eine E/A-Box angeschlossen ist, verwenden Sie diese Klemmen, um den Strom von der E/A-Box einzuspeisen.

Bodenplatte**1 AV IN-Buchse**

Schließen Sie einen Client an diese Buchse an, indem Sie das mit dem Client mitgelieferte CAT-5 Kabel (gerade) verwenden, um Signale von dem Client einzuspeisen.

2 CONTROL OUT/IN-Buchse

Schließen Sie einen anderen MCX-CA15 oder eine externe Komponente an diese Buchse an, um die Leistung dieses Gerätes zu steuern.

BEDIENUNG

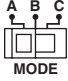
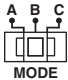
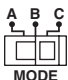
Betriebsmodi

Der MCX-CA15 zeichnet sich durch drei unterschiedliche Betriebsmodi aus, um dem Anwender erhöhte Flexibilität bieten zu können. Bevor Sie den MCX-CA15 verwenden, müssen Sie den Betriebsmodus entweder auf „A“, „B“ oder „C“ einstellen, abhängig von Ihrer Systemkonfiguration.

VORSICHT

Stellen Sie den Betriebsmodus unbedingt ein, bevor Sie den MCX-CA15 an eine spannungsführende Stromquelle anschließen.

■ Betriebsmodi

Modus	Verwendung
A-Modus 	Verwenden Sie diesen Modus, wenn Sie den MCX-CA15 in Verbindung mit einem Client verwenden möchten. In diesem Modus können Sie auch einen YAMAHA AV-Empfänger steuern, der an den MCX-CA15 oder die E/A-Box angeschlossen ist, indem Sie die Fernbedienung des Clients unter Verwendung der YAMAHA AV-Link-Technologie verwenden. In diesem Modus lässt sich der MCX-CA15 vollständig von dem Client aus steuern.
B-Modus 	Verwenden Sie diesen Modus, wenn Sie den MCX-CA15 als Verstärker für ein anderes als das MusicCAST System verwenden und Sie den MCX-CA15 automatisch einschalten oder in den Schlafstatus schalten möchten, indem Sie die Eingangspegel-Sensorfunktion* verwenden. In diesem Modus wird die Leistung des MCX-CA15' von den Audiosignalen gesteuert, die von der angeschlossenen externen Komponente eingespeist werden.
C-Modus 	Verwenden Sie diesen Modus, wenn Sie den MCX-CA15 als einen Verstärker für ein anderes als das MusicCAST System verwenden möchten, wenn Sie die Eingangspegel-Sensorfunktion* nicht benutzen. In diesem Modus wird die Leistung des MCX-CA15' von den Steuerungssignalen gesteuert, die von der angeschlossenen externen Komponente eingespeist werden.

* Für Einzelheiten über die Eingangspegel-Sensorfunktion siehe Seite 11.

VORSICHT

In den „B“- und „C“-Modi können Sie den Lautstärkepegel nicht von dem MCX-CA15 aus einstellen. Die an der AUDIO IN-Buchse eingespeisten Signale werden nicht umgewandelt, bevor sie ausgegeben werden. Falls lauter Sound ausgegeben wird, können Ihre Lautsprecher beschädigt werden. Bevor Sie zum ersten Mal die Komponenten hören möchten, vermindern Sie die Lautstärke an der Komponente auf ein Minimum.

Hinweise

- In dem „B“-Modus tritt der MCX-CA15 in den Schlafmodus ein, wenn für fünf Minuten oder länger kein Signal festgestellt wird.
- In den „B“- und „C“-Modus, wenn eine Komponente an die AUDIO IN-Buchse angeschlossen ist, ist die Eingangs-Vorgabeeinstellung gleich „AUDIO IN“. Falls jedoch keine Komponente angeschlossen ist, dann ist die Vorgabeeinstellung gleich „AV IN“.
- Bevor Sie eine externe Komponente an die AUDIO IN-Buchse anschließen bzw. von dieser abtrennen, trennen Sie unbedingt den MCX-CA15 vom Netz ab.

■ Vergleich der Modi und Beschreibung des Betriebs

Modus	IR/CTRL-Buchse auf der Frontblende	CONTROL IN/OUT-Buchse auf der Bodenplatte	Automatische Bereitschaft mit Eingangspegelsensor
A-Modus	Infrarot-Ausgang (unter Verwendung der YAMAHA AV-Link-Technologie)	Steuerungsausgang	Nein
B-Modus	(Nicht verfügbar)	Steuerungsausgang	Ja
C-Modus	Steuerungseingang	Steuerungseingang	Nein

Die verschiedenen Funktionen jeder Buchse sind wie folgt:

Infrarot-Ausgang

Die IR/CTRL-Buchse auf der Frontblende funktioniert in dem „A“-Modus als Infrarot-Ausgangsbuchse. Sie können eine Infrarot-Blinkeinrichtung an diese Buchse anschließen, um einen YAMAHA AV-Empfänger unter Verwendung der YAMAHA AV-Link-Technologie zu steuern.

Hinweis

Dieses Gerät unterstützt nur Infrarot-Modulationsfrequenzen von 38 kHz.

Steuerungsausgang

Die CONTROL IN/OUT-Buchse auf der Frontblende funktioniert in dem „A“-Modus und „B“-Modus als Steuerungs-Ausgangsbuchse. In diesem Falle kann das Gerät die Leistung im Bereich von 3 bis 30 V von dieser Buchse ausgeben. Sie können einen anderen MCX-CA15 an diese Buchse anschließen, um die Leistung des MCX-CA15 zu steuern.

Steuerungseingang

Die IR/CTRL-Buchse auf der Frontblende und die CONTROL IN/OUT-Buchse auf der Bodenplatte funktionieren in dem „C“-Modus als Steuerungs-Eingangsbuchse. In diesem Falle kann das Gerät die Signale im Bereich von 3 bis 30 V von dieser Buchse feststellen. Sie können einen anderen MCX-CA15 oder eine externe Komponente an diese Buchsen anschließen, um die Leistung dieses Gerätes zu steuern.

■ Umschalten des Betriebsmodus

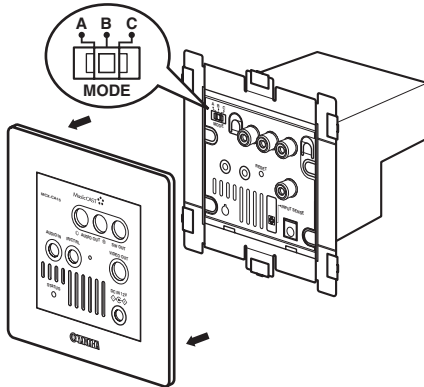
Sie können zwischen den Betriebsmodi an dem MCX-CA15 umschalten, indem Sie den an der Innenseite der Frontblende angeordneten MODE-Schalter nach links oder rechts schieben.

VORSICHT

- Stellen Sie immer sicher, dass der Betriebsmodus richtig eingestellt ist, bevor Sie die automatische oder manuelle Konfigurierung an dem Client ausführen.
- Drücken Sie unbedingt RESET, nachdem Sie den Betriebsmodus umgeschaltet haben.

1 Erfassen Sie vorsichtig die Kanten der Frontblende, und ziehen Sie diese von dem Hauptgerät ab.

Der MODE-Schalter ist nun in der oberen linken Ecke an der Innenseite der Frontblende sichtbar.



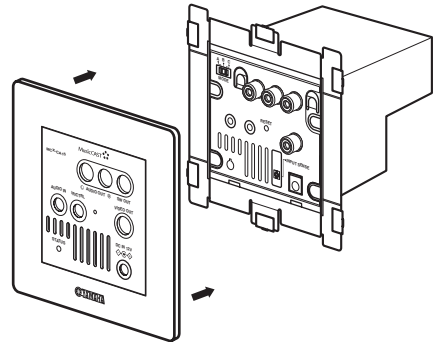
2 Schieben Sie den MODE-Schalter nach links oder rechts, um die gewünschte Einstellung des Betriebsmodus auszuführen.

Für Einzelheiten über die Betriebsmodi und ihre Verwendungen siehe Seite 8 und 9.



3 Drücken Sie RESET, indem Sie einen Kugelschreiber oder ein ähnliches Objekt verwenden.

4 Bringen Sie die Frontblende wieder an, indem Sie diese vorsichtig an das Hauptgerät andrücken, bis diese einrastet.



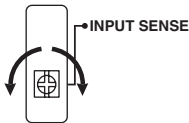
Eingangspegel-Sensorfunktion

In dem „B“-Modus wird der MCX-CA15 automatisch aktiviert (er verlässt den Schlafmodus), wenn sein Schaltkreis einen Signaleingang von einer an die AUDIO IN-Buchse angeschlossenen externen Quelle feststellt.

Sie können auch INPUT SENSE verwenden, um die feststellbare Ansprechschwelle des Signals zu ändern.

Drehen Sie INPUT SENSE nach rechts, um die feststellbare Signalansprechschwelle zu erhöhen.

Drehen Sie INPUT SENSE nach links, um die feststellbare Signalansprechschwelle zu vermindern.

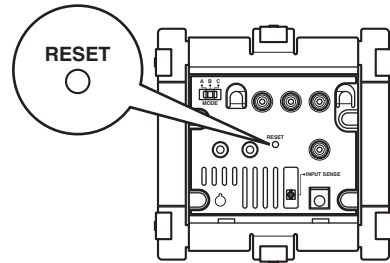


Hinweise

- Falls für fünf Minuten oder länger keine Eingangsquelle festgestellt wird, schaltet diese Funktion den MCX-CA15 automatisch auf den Schlafmodus.
- In dem Schlafmodus ist der Ausgang von dem MCX-CA15 stummgeschaltet.
- Sie können INPUT SENSE auch bis zum Anschlag nach links drehen, der MCX-CA15 verbleibt trotzdem im aktiven Status. Sie können ihn auch bis zum Anschlag nach rechts drehen, der MCX-CA15 verbleibt trotzdem in dem Schlafmodus.
- Diese Funktion steht nur dann zur Verfügung, wenn der MCX-CA15 auf den „B“-Modus eingestellt ist.

RESET-Taste

Die RESET-Taste befindet sich an der Innenseite der Frontblende.



Drücken Sie die RESET-Taste, um nur den MCX-CA15 neu zu starten, wenn:

- Die Schutzschaltung des MCX-CA15 aktiviert wurde und sich das Gerät selbst ausgeschaltet hat.
- Sie haben den Betriebsmodus unter Verwendung des MODE-Schalters geändert.

Hinweis

Wenn der MCX-CA15 an einen Client angeschlossen ist und Sie das System zurückstellen möchten, betätigen und halten Sie ⏻ für zehn Sekunden an dem Client gedrückt.

STÖRUNGSBESEITIGUNG

Siehe das nachfolgende Diagramm, wenn der MCX-CA15 nicht richtig funktionieren sollte. Falls das aufgetretene Problem in der nachfolgenden Tabelle nicht aufgeführt ist oder die nachfolgenden Instruktionen nicht helfen, ziehen Sie den Netzstecker, und wenden Sie sich an den nächsten autorisierten YAMAHA Fachhändler oder Kundendienst.

Problem	Ursache	Abhilfe	Siehe auf Seite
Die AV-Link-Technologie-Funktion arbeitet nicht richtig.	Das Signal ist schwach (nur bei angeschlossener Infrarot-Blinkeinrichtung).	Positionieren Sie die Infrarot-Blinkeinrichtung so, dass sie direkt auf den Fernbedienungsempfänger der externen Komponente weist.	—
Der Client gibt keinen Ton aus.	Die Lautstärkeeinstellung an dem Client ist zu niedrig.	Erhöhen Sie die Lautstärkeeinstellung.	Kurzanleitung, Seite 9
	Die Lautsprecher sind nicht richtig an den MCX-CA15 angeschlossen.	Überprüfen Sie die Anschlüsse zwischen den Lautsprechern und dem MCX-CA15.	Installationsanleitung, Seite 11
Die Verwendung des MCX-CA15 erzeugt Interferenzrauschen in Radios in der Nähe.	Der MCX-CA15 und das Radio sind zu nahe zusammen aufgestellt.	Stellen Sie den MCX-CA15 und das Radio in einem Abstand von mindestens einem Meter auf.	—
Die STATUS-Anzeige auf der Frontblende des MCX-CA15 blinkt schnell.	Die Kabel sind nicht richtig angeschlossen.	Schließen Sie die Kabel richtig an. Wenn Sie den MCX-CA15 in dem MusicCAST System verwenden, drücken Sie $\odot/ $ an dem Client für 10 Sekunden, um das System zurückzustellen. Wenn Sie den MCX-CA15 als Verstärker für eine andere Anlage verwenden, drücken Sie RESET an der Innenseite der Frontblende des MCX-CA15, um dieses Gerät zurückzustellen.	11
	Sie verwenden Lautsprecher mit niedriger Impedanz.	Verwenden Sie Lautsprecher mit einer Impedanz von mindestens 4 Ω . Wenn Sie den MCX-CA15 in dem MusicCAST System verwenden, drücken Sie $\odot/ $ an dem Client für 10 Sekunden, um das System zurückzustellen. Wenn Sie den MCX-CA15 als Verstärker für eine andere Anlage verwenden, drücken Sie RESET an der Innenseite der Frontblende des MCX-CA15, um dieses Gerät zurückzustellen.	11

TECHNISCHE DATEN

AUDIO-LEISTUNGSDATEN

- Minimale effektive Ausgangsleistung
1 kHz, 1% Klirrr 13 W + 13 W
- Maximale Ausgangsleistung (EIAJ)
1 kHz, 10% Klirrr 17 W + 17 W oder 18 W (1 Kanal)
- Frequenzgang (EIAJ) 20 Hz bis 20 kHz, $\pm 1,0$ dB
- Gesamtklirrfaktor + Rauschen (EIAJ) 0,008%
- Signal-Rauschspannungsabstand (EIAJ) 98 dB
- Dynamikbereich (EIAJ) 98 dB
- Eingangsempfindlichkeit/Impedanz (1 kHz, 1% Klirrr)
Modi A und B 220 mV/3 k Ω
Modus C 780 mV/3 k Ω
- Ausgangspegel/Impedanz
AUDIO OUT (1 kHz, 220 mV Eingang von AUDIO IN) 1,0 Veffekt./1 k Ω
AUDIO OUT (1 kHz, 0 dB, Lautstärke -20 dB Eingang von MCX-C15 angeschlossen mit 2 m CAT-5 Kabel (gerade)) 1,0 Veffekt./1 k Ω
SW OUT (50 Hz, 220 mV Eingang von AUDIO IN) 1,0 Veffekt./2,1 k Ω

ALLGEMEINES

- Netzspannung und -frequenz 100 V bis 240 V, 50/60 Hz
- Leistungsaufnahme 40 W
- Zulässige Betriebstemperatur $+5^{\circ}\text{C}$ bis $+35^{\circ}\text{C}$
- Abmessungen (B x H x T) 120 x 120 x 105 mm
- Gewicht (ohne Netzteil) 0,6 kg

* Änderungen der obigen technischen Daten bleiben ohne Vorankündigung vorbehalten.

OBSERVERA: LÄS IGENOM FÖLJANDE INNAN ENHETEN TAS I BRUK.

- 1 Läs noga igenom denna bruksanvisning för att säkerställa bästa möjliga prestanda. Spara bruksanvisningen för framtida referensbehov.
- 2 Installera enheterna på en välventilerad, sval, torr och ren plats — skyddade från direkt solljus, värmekällor, vibrationer, damm, fukt och/eller köld. Se till att lämna ett ventilationsutrymme på minst 10 cm ovanför, under och på vänster och höger sidor om enheterna. Se också till att enheternas baksidor inte ligger an mot den motsatta väggen.
- 3 Placera enheterna på avstånd från andra elektriska apparater, motorer och transformatorer för att undvika brummande störljud.
- 4 Utsätt inte enheterna för plötsliga temperaturväxlingar från kallt till varmt och placera de inte heller i en miljö med hög luftfuktighet (t.ex. i ett rum med en luftfuktare i) för att undvika kondensation på insidan av enheterna, vilket kan orsaka elektriska stötar, brand, skada på enheterna och/eller kroppsskada.
- 5 Undvik att installera enheterna på en plats där det finns risk för att främmande föremål faller ner på enheterna och/eller där de kan utsättas för droppande eller skvättande vätska. Placera INTE något av följande ovanpå enheterna:
 - Andra komponenter, eftersom de kan orsaka skada och/eller missfärgning på enheternas ytterhölje.
 - Brinnande föremål (t.ex. levande ljus), eftersom de kan orsaka brand, skada på enheterna och/eller kroppsskada.
 - Vätskefyllda behållare, eftersom de kan välta och innehållet orsaka livsfarliga elektriska stötar och/eller skada på enheterna.
- 6 Täck inte över enheterna med tidningspapper, dukar, gardiner e.dyl., så att värmeavledningen blockeras. Om temperaturen inuti enheterna blir för hög kan det orsaka brand, skada på enheterna och/eller kroppsskada.
- 7 Anslut inte enheterna till ett nätuttag förrän alla övriga anslutningar är klara.
- 8 Använd inte enheterna uppochnervända. De kan då överhettas, så att de troligtvis skadas.
- 9 Utsätt inte omkopplare, knappar och/eller kablar för hårdhänt hantering.
- 10 Håll alltid i stickkontakten, när nätkabeln ska kopplas loss från nätuttaget. Dra inte i kabeln.
- 11 Rengör inte enheterna med hjälp av kemiska lösningsmedel, eftersom det kan skada ytbehandlingen. Använd en ren och torr trasa.
- 12 Endast den spänning som står angiven på enheterna får användas. Drift av enheterna med en högre spänning än den som anges medför livsfara och kan orsaka brand, skada på enheterna och/eller kroppsskada. YAMAHA påtar sig inget som helst ansvar för skador orsakade av att enheterna har drivits med en annan spänning än den som anges.
- 13 Koppla loss nätkabeln från nätuttaget vid åskväder för att undvika risken för skada på grund av åsknerlag.
- 14 Försök inte själv modifiera eller laga enheterna. Kontakta en kvalificerad YAMAHA-reparatör vid behov av reparation. Höljet bör aldrig öppnas av någon anledning.
- 15 Dra ut stickkontakten ur nätuttaget, när enheterna inte ämnas användas på ett bra tag (t.ex. före en semesterresa).
- 16 Läs igenom avsnittet "TROUBLESHOOTING" ("FELSÖKNING") i bruksanvisningen till MCX-C15 eller i bruksanvisningen till MCX-CA15 för att kontrollera att inget vanligt manövreringsfel föreligger, innan slutsatsen att det är något fel på den ena eller båda enheterna dras.
- 17 Tryck på \odot /I på MCX-C15 för att ställa enheterna i viloläge och dra ut stickkontakten ur nätuttaget, innan enheterna flyttas.
- 18 Använd endast den nätadapter (LSE0215C1240) som levereras med MCX-C15. Användning av en annan nätadapter än den medföljande kan orsaka brand eller skada på enheterna.
- 19 Enheterna är endast avsedda för användning i hemmet. Använd de aldrig i en bil e.dyl., eftersom det kan resultera i funktionsfel på enheterna.

Strömtillförseln till enheterna bryts inte så länge enheterna är anslutna till ett nätuttag, även om strömmen på själva enheterna slås av. Detta tillstånd kallas för viloläge. Enheterna är konstruerade så att de i detta tillstånd förbruka ytterst lite ström.

VARNING!

SKYDDA ENHETERNA FRÅN REGN OCH
FUKT FÖR ATT MINSKA RISKEN FÖR
BRAND ELLER ELEKTRISKA STÖTAR.

OBSERVERA!

Felaktigt byte av batteri medför risk för explosion. Ett batteri får endast bytas ut mot ett som är av samma eller likvärdig typ.

INNEHÅLL

INLEDNING

EGENSKAPER	2
MEDFÖLJANDE TILLBEHÖR	3
KONTROLLER OCH FUNKTIONER.....	4
På frampanelen	4
Innanför frampanelen	5
Bakpanelen	6
Undersidan.....	7

ANVÄNDNING AV MCX-CA15

ANVÄNDNING	8
Driftlägen.....	8
Automatisk avkänning av innivå.....	11
Återställningsknappen RESET.....	11

ÖVRIG INFORMATION

FELSÖKNING	12
TEKNISKA DATA	13

INLEDNING

ANVÄNDNING AV
MCX-CA15

ÖVRIG
INFORMATION


Svenska

EGENSKAPER

MusicCAST MCX-CA15 Distributed Audio Amplifier (hädanefter kallad "MCX-CA15") är konstruerad för högkvalitativ ljudutmatning med en uteffekt på 34 W (17 W per kanal), ihop med en MusicCAST MCX-C15 Distributed Audio Controller (hädanefter kallad "klienten") för att fullborda MusicCAST-systemet eller som en förstärkare integrerad i en existerande ljudanläggning. Vid användning i kombination med klienten kan MCX-CA15 manövreras helt via klienten och fungera som effektförstärkare och likströmsfördelare. Den driver då alla anslutna högtalare och kan användas för visning av klientens bildskärmsmenyer (OSD) på en TV-skärm eller en monitor ansluten till MCX-CA15. Som fristående förstärkare erbjuder MCX-CA15 flexibilitet med två olika driftlägen att välja mellan. MCX-CA15 kan erbjuda följande egenskaper:

- ◆ Driftlägesväljare med tre olika lägen för anpassad användning
- ◆ Upp till 34 W (17 W per kanal) högkvalitativ uteffekt
- ◆ Modern väggmonteringsdesign med målningsbar frontplåt för anpassning till övrig interiör
- ◆ Högtalar- och subwooferutgångar i väggen
- ◆ Valbar förstärkarutgång för användning med extern ljudanläggning
- ◆ Videoutgång för visning av bildskärmsmenyer på en TV-skärm eller en monitor vid användning med en klient
- ◆ Utgång för IR-blinkare för användning av YAMAHA AV-länkteknik tillsammans med en klient
- ◆ Likströmsuttag för strömförsörjning av en klient

Angående denna bruksanvisning

- Under rubrikmärket  ges råd och tips för användning.
- Angående installation och konfigurering av nätverk hänvisas till medföljande Installationshandbok.
- Denna bruksanvisning är tryckt före tillverkningen av produkten. Utförande och tekniska data kan delvis ändras på grund av förbättringar etc. Om det förekommer några skillnader mellan beskrivningen häri och produkten, så har produkten företräde.

Enheten måste installeras av en kvalificerad tekniker enligt anvisningarna i medföljande Installationshandbok. Försök inte installera enheten själv.

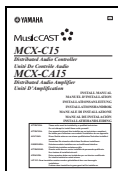
MEDFÖLJANDE TILLBEHÖR

Kontrollera vid upppackning att följande saker finns med i förpackningen.

Bruksanvisning (denna handbok)



Installationshandbok



Mellanlägg x 4

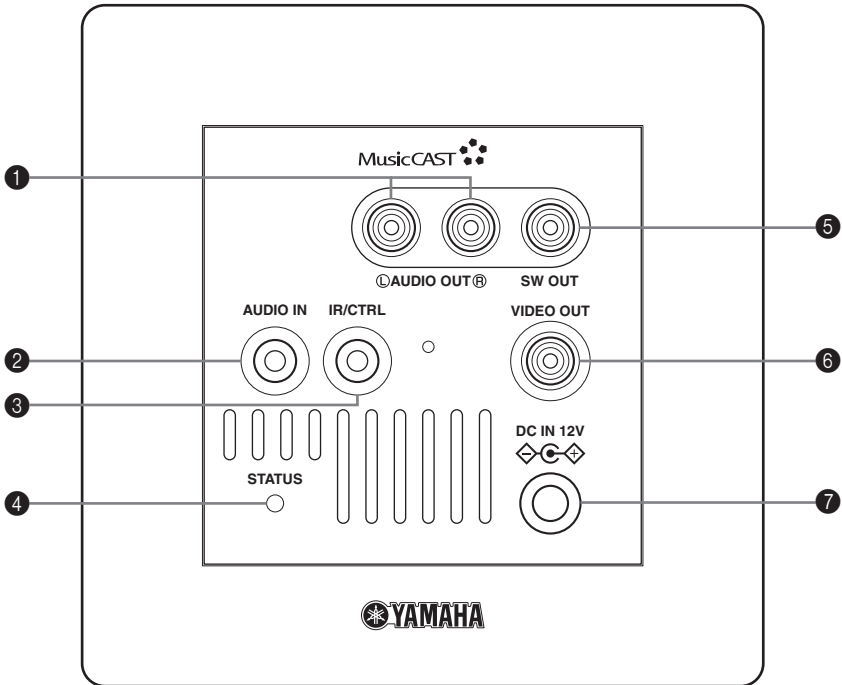


Kabel med stift- och minikontakter



KONTROLLER OCH FUNKTIONER

På frampanelen



1 Utgångarna AUDIO OUT

Anslut en receiver eller en förstärkare (ljudingångskälla) till dessa utgångar.

2 Ingången AUDIO IN

Anslut en extern stereokälla, t.ex. en DVD-spelare eller en kontrollförstärkare, till denna ingång för återgivning av ljud från källan ifråga.

3 Styrkopplingen IR/CTRL

Anslut en IR-blinkare (infraröd sändare) till denna koppling för att kunna manövrera en YAMAHA AV-receiver registrerad i en klient. Medan MCX-CA15 är ansluten till en klient fungerar denna koppling som IR-utgång. Medan MCX-CA15 är ansluten till en extern komponent och driftläget "C" är inställt fungerar denna koppling som en styrgång.

4 Indikatorn STATUS

Denna indikator tänds när enheten är aktiv (tar emot signaler).

Indikatorn lyser svagare medan enheten är i viloläge.

Indikatorn blinkar intensivt i händelse av att skyddskretsen har aktiverats eller ett onormalt tillstånd har uppstått.

Indikatorn lyser växelvis starkt och svagt i 10 sekunder efter att enheten först har anslutits till en strömkälla.

5 Utgången SW OUT

Anslut en subwoofer till denna utgång för att förstärka basfrekvenser.

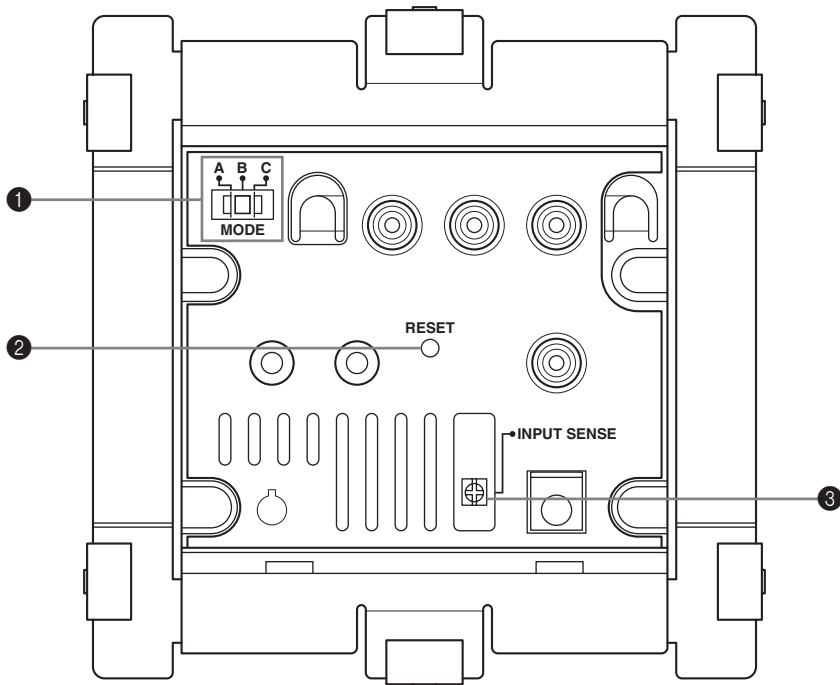
6 Utgången VIDEO OUT

Anslut en TV eller en monitor till denna utgång för att kunna visa klientens bildskärmsmenyer på TV-skärmen/monitorn.

7 Likströmsintaget DC IN 12V

Anslut nätadaptern till denna ingång för att strömförsörja enheten eller distribuera ström till klienten.

Innanför frampanelen



❶ Omkopplaren MODE

Använd denna omkopplare till att välja lämpligt driftläge, "A", "B" eller "C" (se sidan 10).

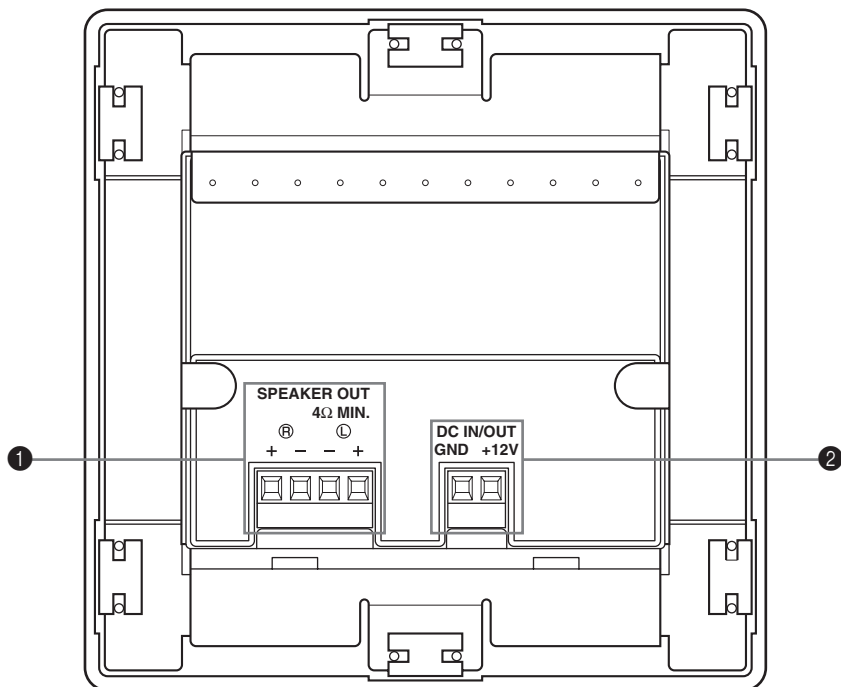
❷ Nollställningsknappen RESET

Tryck här för att nollställa enheten efter att skyddskretsen har aktiverats eller driftläget har ändrats (se sid. 11).

❸ INPUT SENSE

Här avkänns förekomsten av signaler inmatade via ingången AUDIO IN (se sid. 11).

Bakpanelen



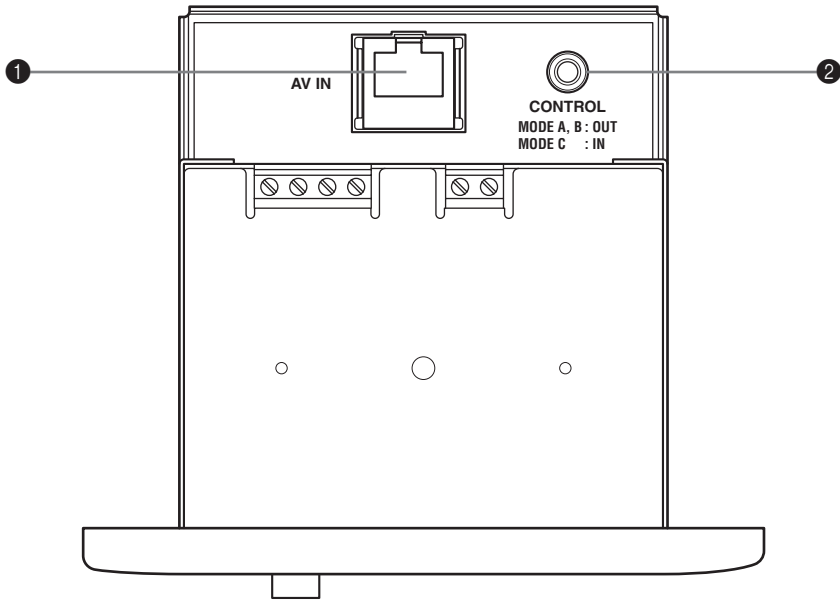
❶ Högtalarutgångarna SPEAKER OUT

Anslut högtalare till dessa utgångar med hjälp av lämpliga högtalarkablar (tillval).

❷ Likströmskopplingarna DC IN/OUT

Anslut likströmskabeln till dessa kopplingar för att strömförsörja klienten, när MCX-CA15 enbart är ansluten till en klient.

Använd dessa kopplingar för mottagning av ström från kopplingsdosan, när MCX-CA15 är ansluten till en kopplingsdosa.

Undersidan**❶ AV-ingången AV IN**

Anslut en klient till denna ingång med hjälp av den CAT-5-kabel (rak) som levereras med klienten för inmatning av signaler från klienten.

❷ Kopplingen CONTROL OUT/IN

Anslut en annan MCX-CA15 eller en extern komponent till denna koppling för strömstyrning av enheten.

ANVÄNDNING

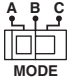
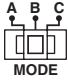
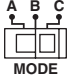
Driftlägen

MCX-CA15 erbjuder tre olika driftlägen för flexibel användning. Innan MCX-CA15 börjar användas måste driftläget "A", "B" eller "C" ställas in i enlighet med den systemkonfigurering som gäller.

OBSERVERA

Var noga med att ställa in driftläget, innan MCX-CA15 ansluts till ett nätuttag.

■ Driftlägen

Läge	Användning
Läget A 	Välj detta läge, när MCX-CA15 ska användas i kombination med en klient. Med detta läge är det även möjligt att med hjälp av YAMAHA AV-länkteknik manövrera en YAMAHA AV-receiver ansluten till MCX-CA15 eller kopplingsdosan med fjärrkontrollen till klienten. I detta läge är MCX-CA15 fullt manövrerbar från klienten.
Läget B 	Välj detta läge för att använda MCX-CA15 som en förstärkare till något annat system än MusicCAST-systemet och för att MCX-CA15 ska kunna slås på eller ställas i viloläge automatiskt med hjälp av funktionen för avkänning av innivå* i inmatade signaler. I detta läge styrs strömmen till MCX-CA15 av ljudsignaler som matas in från den anslutna externa komponenten.
Läget C 	Välj detta läge för att använda MCX-CA15 som en förstärkare till något annat system än MusicCAST-systemet och funktionen för avkänning av innivå* inte ska användas. I detta läge styrs strömmen till MCX-CA15 av styrsignaler som matas in från den anslutna externa komponenten.

* Angående detaljer kring funktionen för avkänning av innivå hänvisar vi till sidan 11.

OBSERVERA

I lägena "B" och "C" kan volymnivån inte regleras från MCX-CA15. Signaler som matas in via ingången AUDIO IN omvandlas inte innan före utmatning. Om mycket högt ljud matas ut finns det risk för att högtalarna skadas. Sänk volymen på komponenten ifråga till miniminivå, innan ljud från en ansluten komponent återges första gången.

Anmärkningar

- I läget "B" ställs MCX-CA15 i viloläge, om det går minst fem minuter utan att någon signal känns av.
- I lägena "B" och "C" är grundinställningen för inmatning "AUDIO IN", när en komponent är ansluten till ingången AUDIO IN. När ingen komponent är ansluten är grundinställningen istället "AV IN".
- Se till att koppla bort strömkällan till MCX-CA15, innan en extern komponent ansluts till eller kopplas loss från ingången AUDIO IN.

■ Översikt över driftfunktioner i de olika driftlägena

Läge	Styrkopplingen IR/CTRL på frampanelen	Kopplingen CONTROL IN/OUT på undersidan	Automatisk strömbereidskap med avkänning av innivå
Läget A	IR-utmatning (med YAMAHA AV-länkteknik)	Utgående strömstyrning	Nej
Läget B	(ej tillgängligt)	Utgående strömstyrning	Ja
Läget C	Ingående styrning	Ingående strömstyrning	Nej

De olika funktionerna har följande egenskaper:

IR-utmatning

Styrkopplingen IR/CTRL på frampanelen fungerar i läget "A" som utgång för IR-utmatning. En IR-blinkare kan anslutas till denna koppling för manövrering av en YAMAHA AV-receiver med hjälp av YAMAHA AV-länkteknik.

Anmärkning

Enheten stöder endast IR-modulationsfrekvenser på 38 kHz.

Utgående strömstyrning

Kopplingen CONTROL IN/OUT på undersidan fungerar i lägena "A" och "B" som utgång för strömstyrning. I dessa lägen kan MCX-CA15 mata ut ström med en spänning på 3 till 30 volt via denna koppling. En till MCX-CA15 kan också anslutas till denna koppling för att styra strömtillförseln till den anslutna MCX-CA15.

Ingående styrning/strömstyrning

Styrkopplingen IR/CTRL på frampanelen och kopplingen CONTROL IN/OUT på undersidan fungerar i läget "C" som styringång respektive ingång för strömstyrning. I detta läge kan MCX-CA15 känna av signaler inom spänningsområdet 3 till 30 volt från dessa kopplingar. En till MCX-CA15 eller en extern komponent kan anslutas till dessa kopplingar för strömstyrning av enheten.

■ Hur driftläget ändras

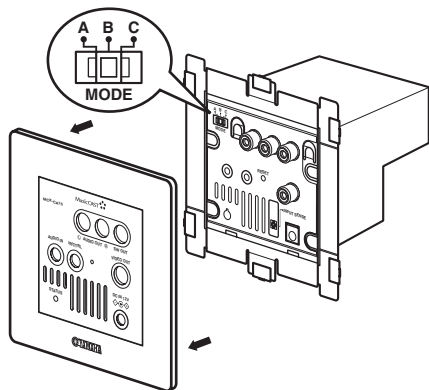
Driftläget på MCX-CA15 kan ändras genom att skjuta omkopplaren MODE, som sitter innanför frampanelen, åt vänster eller höger.

OBSERVERA

- Kontrollera alltid att korrekt driftläge är inställt, innan automatisk eller manuell konfigurering på klienten påbörjas.
- Kom ihåg att trycka på RESET efter ändring av driftläge.

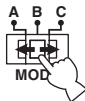
1 Fatta försiktigt tag i kanterna på frampanelen och dra loss panelen från själva enheten.

Omkopplaren MODE återfinns i övre vänstra hörnet innanför frampanelen.



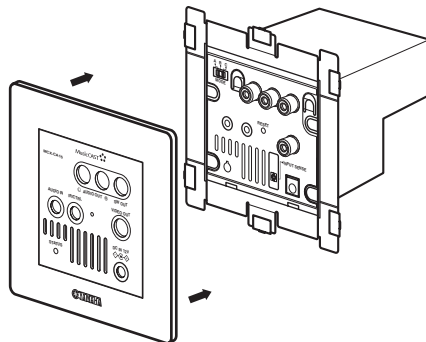
2 Skjut omkopplaren MODE åt vänster eller höger för att välja önskat driftläge.

Angående detaljer kring de olika driftlägena hänvisas till sidorna 8 och 9.



3 Tryck in RESET genom att använda en kulspeuspenna eller ett liknande föremål.

4 Sätt tillbaka frampanelen genom att varsamt trycka den mot själva enheten tills den snäpper fast.



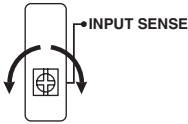
Automatisk avkänning av innivå

I läget "B" aktiveras MCX-CA15 automatiskt (lämnar viloläget) när dess kretsar känner av signalinmatning från en extern källa ansluten till ingången AUDIO IN.

Väljaren INPUT SENSE kan användas till att ändra tröskeln för signalavkänning.

Vrid väljaren INPUT SENSE medurs för att höja tröskeln för signalavkänning.

Vrid väljaren INPUT SENSE moturs för att sänka tröskeln för signalavkänning.

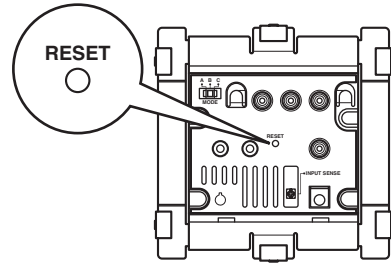


Anmärkningar

- Om det går minst fem minuter utan att någon ingångskälla känns av ställs MCX-CA15 med hjälp av denna funktion automatiskt i viloläge.
- I viloläge är ljudutmatning från MCX-CA15 avstängt.
- Efter att INPUT SENSE har vridits moturs så långt det går förblir MCX-CA15 hela tiden i aktivt tillstånd. Efter att väljaren har vridits moturs så långt det går förblir MCX-CA15 hela tiden i viloläge.
- Denna funktion är endast tillgänglig medan läget "B" är inställt på MCX-CA15.

Återställningsknappen RESET

Återställningsknappen RESET finns innanför frampanelen.



Tryck på RESET för att återstarta MCX-CA15 endast i följande fall:

- När skyddskretsen i MCX-CA15 har aktiverats och enheten har slagits av av sig själv.
- När driftläget har ändrats med hjälp av omkopplaren MODE.

Anmärkning

För att återställa hela systemet medan MCX-CA15 är ansluten till en klient: Tryck in och håll ⏻/| på klienten intryckt i tio sekunder.

FELSÖKNING

Vi hänvisar till tabellen nedan, om MCX-CA15 inte tycks fungera korrekt. Om det aktuella problemet inte anges nedan eller om den åtgärd som beskrivs inte hjälper, så koppla loss nätkabeln och kontakta närmaste auktoriserade YAMAHA-handlare eller servicecenter.

Problem	Orsak	Åtgärd	Se sidan
AV-länktekniken fungerar inte som den ska.	Signalerna är för svaga (gäller endast anslutningar med IR-blinkare).	Placera IR-blinkaren så att den har fritt luftrum fram till fjärrsignalsmottagaren på den externa komponenten ifråga.	—
Klienten matar inte ut något ljud.	Volyminställningen för klienten är för låg.	Höj volyminställningen.	Sidan 9 i snabbreferensen
	Högtalarna är inte korrekt anslutna till MCX-CA15.	Kontrollera anslutningarna mellan högtalarna och MCX-CA15.	Sidan 11 i installationshandboken
Användning av MCX-CA15 orsakar störningsbrus på närstående radiomottagare.	MCX-CA15 och radion står för nära varandra.	Placera MCX-CA15 och radion på minst en meters avstånd från varandra.	—
Indikatorn STATUS på frampanelen på MCX-CA15 blinkar intensivt.	Kablarna är felaktigt anslutna.	Anslut kablarna korrekt. Tryck in \odot/I på klienten i 10 sekunder för att återställa systemet, när MCX-CA15 används i MusicCAST-systemet. Tryck på återställningsknappen RESET, som sitter innanför frampanelen på MCX-CA15, för att återställa enheten, när MCX-CA15 används som förstärkare i ett annat system.	11
	Högtalare med för låg impedans används.	Använd högtalare med en impedans på minst 4Ω . Tryck in \odot/I på klienten i 10 sekunder för att återställa systemet, när MCX-CA15 används i MusicCAST-systemet. Tryck på återställningsknappen RESET, som sitter innanför frampanelen på MCX-CA15, för att återställa enheten, när MCX-CA15 används som förstärkare i ett annat system.	11

TEKNISKA DATA

LJUDPRESTANDA

- Minimal uteffekt (effektivvärde)
vid 1 kHz, 1 % övertonsdistorsion 13 W + 13 W
- Maximal uteffekt (enl. EIAJ)
vid 1 kHz, 10 % övertonsdistorsion 17 W + 17 W eller 18 W (1 kanal)
- Frekvensomfång (enl. EIAJ) 20 Hz till 20 kHz, $\pm 1,0$ dB
- Övertonsdistorsion + brus (enl. EIAJ) 0,008 %
- Signalbrusförhållande (enl. EIAJ) 98 dB
- Dynamikomfång (enl. EIAJ) 98 dB
- Inkänslighet/inimpedans (vid 1 kHz, 1 % övertonsdistorsion)
Lägena A och B 220 mV/3 k Ω
Läget C 780 mV/3 k Ω
- Utnivå/utimpedans
AUDIO OUT (vid 1 kHz, 220 mV, inmatning via AUDIO IN) 1,0 Vrms/1 k Ω
AUDIO OUT (vid 1 kHz, 0 dB, inmatning med volymnivån -20 dB från MCX-C15 via en 2 m lång
CAT-5-kabel (rak)) 1,0 Vrms/1 k Ω
SW OUT (vid 50 Hz, 220 mV, inmatning via AUDIO IN) 1,0 Vrms/2,1 k Ω

ALLMÄNT

- Strömförsörjning 100–240 V nätspänning, 50/60 Hz
- Effektförbrukning 40 W
- Driftstemperatur $+5$ °C till $+35$ °C
- Ytermått (B x H x D) 120 x 120 x 105 mm
- Vikt (exkl. nätadapter) 0,6 kg

* Uppgifterna ovan kan ändras utan föregående meddelande.

ATTENZIONE: PRIMA DI USARE QUEST'UNITÀ', LEGGERE QUESTO MANUALE

- 1 Per assicurarsi i migliori risultati possibili, leggere attentamente tutto questo manuale. Tenerlo poi in un luogo sicuro per poterlo consultare di nuovo in futuro.
- 2 Installare queste unità in un luogo ventilato, fresco, asciutto e pulito — lontano da luce solare diretta, sorgenti di calore, vibrazioni, polvere, umidità e calore. Per facilitare la dispersione del calore, lasciare 10 cm di spazio tutt'intorno l'unità. Controllare anche che il retro di quest'unità non tocchi il muro.
- 3 Per evitare interferenze, installare queste unità lontane da apparecchi elettrici, motori o trasformatori.
- 4 Non esporre queste unità a sbalzi di temperatura e non installarle in ambienti molto umidi, ad esempio in una stanza con un umidificatore, per evitare che in esse si formi condensa, causando folgorazioni, incendi, danni a queste unità o infortuni.
- 5 Evitare di installare queste unità dove degli oggetti possano cadere in esse e dove possano venire esposte a spruzzi di liquidi. **NON INSTALLARE** su queste unità:
 - Altri componenti, dato che possono causare danni e scoloriture della loro superficie.
 - Fiamme libere (ad esempio candele, dato che possono causare incendi, danni a queste unità ed infortuni.
 - Contenitori di liquido, dato che possono ribaltarsi e causare scariche elettriche all'utente o danneggiare i diffusori.
- 6 Non coprire queste unità con giornali, tovaglie, tendaggi ecc., per non ostacolare la dispersione del calore. Se la temperatura all'interno di queste unità sale, può causare incendi, danni all'unità o ferite.
- 7 Non collegare queste unità ad una presa di corrente fino a che tutti i collegamenti sono completi.
- 8 Non utilizzare queste unità ribaltate. Esse possono surriscaldarsi e causare danni.
- 9 Non usare forza nell'usare interruttorim manopole e cavi.
- 10 Per scollegare il cavo di alimentazione da una presa a muro, agire sulla spina e non sul cavo.
- 11 Non pulire queste unità con solventi chimici. Essi possono danneggiarne le finiture. Usare solo un panno soffice e pulito.
- 12 Usare solo corrente del voltaggio stabilito. Usando queste unità con voltaggi superiori a quello specificato è pericoloso e può causare incendi, danni all'unità ed infortuni. **YAMAHA non può venire considerata responsabile per danni dovuti all'uso di queste unità con voltaggi diversi da quello specificato.**
- 13 Per evitare danni dovuti a fulmini, scollegare la spina di alimentazione durante i temporali.
- 14 Non tentare di modificare o riparare queste unità. Affidare qualsiasi intervento a personale qualificato **YAMAHA**. Il cabinet non deve venire aperto per qualsiasi motivo.
- 15 Se si ritiene di non dover usare queste unità per molto tempo, ad esempio per andare in vacanza, scollegare il cavo di alimentazione dalla presa di corrente.
- 16 Prima di concludere che una o ambedue di queste unità è guasta, non mancare di leggere la sezione "TROUBLESHOOTING" ("DIAGNOSTICA") del manuale dell'utente dell'MCX-C15 dell'MCX-CA15.
- 17 Prima di spostare queste unità, premere \odot /I dell'MCX-C15 per portarle ambedue in modalità di attesa, quindi scollegare la spina di alimentazione della presa a muro.
- 18 Usare esclusivamente l'adattatore di corrente alternata (LSE0215C1240) in dotazione all'MCX-C15. Usando un altro adattatore di corrente alternata si possono causare incendi o danni alle unità.
- 19 Queste unità sono progettate esclusivamente per l'uso domestico. Non usare mai queste unità in un'auto. Facendolo, esse possono non funzionare normalmente.

Queste unità vengono alimentate fintanto che sono collegate ad una presa, anche se sono spente. Questa è la cosiddetta modalità di attesa. In questa condizione, quest'unità consumano pochissima energia.

AVVERTENZA

PER RIDURRE IL RISCHIO DI INCENDI O SCARICHE ELETTRICHE, NON ESPORRE QUESTI APPARECCHI A PIOGGIA O UMIDITA'.

ATTENZIONE

Pericolo di esplosione nel caso che la batteria venga sostituita in modo scorretto. Sostituirla solo con batterie dello stesso tipo.

INDICE

INTRODUZIONE

CARATTERISTICHE	2
ACCESSORI IN DOTAZIONE	3
COMANDI E LORO FUNZIONE	4
Pannello anteriore	4
Interno del pannello anteriore.....	5
Pannello posteriore	6
Pannello inferiore	7

USO DELL' MCX-CA15

USO	8
Modalità di uso	8
Funzione di rilevamento del livello d'ingresso	11
Pulsante RESET	11

INFORMAZIONI ADDIZIONALI

DIAGNOSTICA	12
DATI TECNICI	13

INTRODUZIONE

USO DELL' MCX-CA15

INFORMAZIONI
ADDIZIONALI

Italiano


CARATTERISTICHE

Il MusicCAST MCX-CA15 Distributed Audio Amplifier (d'ora in poi chiamato l'"MCX-CA15") è progettato per emettere 34 W (17 W per canale) di potenza di alta qualità se accoppiato ad un MusicCAST MCX-C15 Distributed Audio Controller (d'ora in poi chiamato "client") a completare il sistema MusicCAST, o per costituire un amplificatore integrato di un sistema audio persistente. Come compagno del vostro client, l'MCX-CA15 è del tutto controllabile dal client stesso e funziona sia come amplificatore di potenza che come distributore di corrente continua. Esso eroga energia di alta qualità a tutti i diffusori presenti e può visualizzare i messaggi sullo schermo (OSD) del client su di un televisore o monitor collegato all'MCX-CA15. Come amplificatore a sé stante, l'MCX-CA15 offre flessibilità grazie a due modalità di funzionamento separate.

L'MCX-CA15 possiede le seguenti caratteristiche:

- ◆ Selettore della modalità di funzionamento con tre posizioni per l'uso personalizzato
- ◆ Fino a 34 W (17 W per canale) di potenza d'uscita di alta qualità
- ◆ Design moderno a muro con pannello anteriore verniciabile in modo da accostarsi a qualsiasi arredamento
- ◆ Terminali per diffusore a parete e uscite per subwoofer
- ◆ Uscita di preamplificazione selezionabile per l'uso con un sistema audio esterno
- ◆ Visualizzazione del menu su di un televisore o monitor quando usato con un client
- ◆ Trasmettitore a RI impiegante tecnologia YAMAHA AV link quando usato con un client
- ◆ Uscita di corrente continua per un client

A proposito di questo manuale

-  indica un suggerimento riguardante un'operazione.
- Per maggiori dettagli sull'installazione e sulla configurazione della rete, consultare il manuale di installazione in dotazione.
- Questo manuale è stato stampato prima della produzione dell'apparecchio. Il design e i dati tecnici sono soggetti a modifiche senza preavviso, in parte a causa di migliorie. Il prodotto ed il manuale potrebbero quindi essere leggermente differenti.

Quest'unità deve venire installata da un tecnico qualificato nel modo indicato dal manuale di installazione. Non tentare di installare quest'unità da sé.

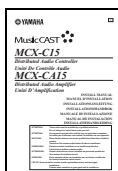
ACCESSORI IN DOTAZIONE

Aperta la confezione, controllare che contenga tutte le parti che seguono.

Manuale dell'utente (questo manuale)



Manuale di installazione



Distanziatori x 4

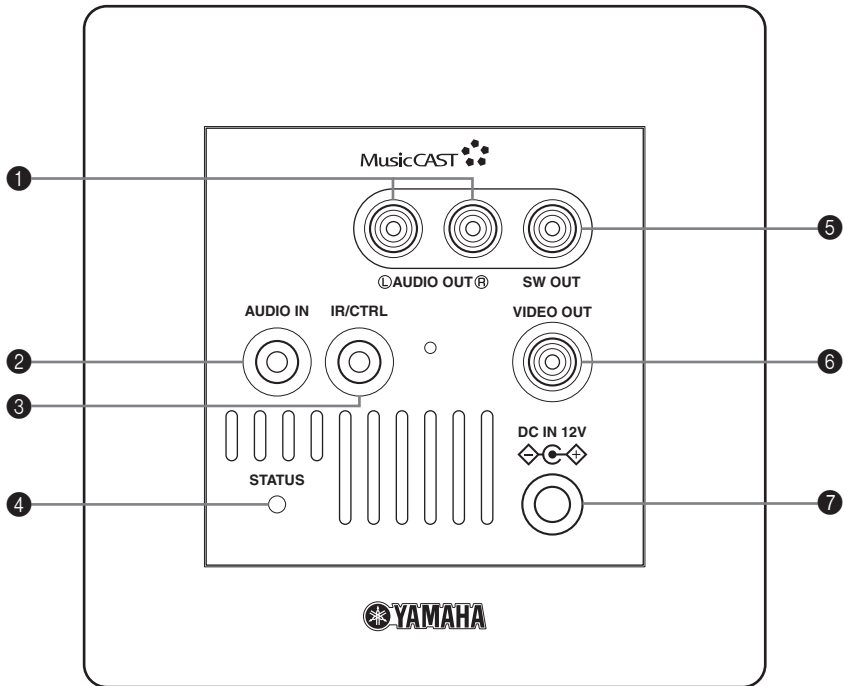


Cavo con spinotto/ minispinotto



COMANDI E LORO FUNZIONE

Pannello anteriore



1 Presa AUDIO OUT

Collegare a queste prese un ricevitore o amplificatore (sorgente di segnale audio).

2 Presa AUDIO IN

Collegarla ad una sorgente stereo esterna, ad esempio un lettore DVD o un amplificatore di controllo per poter riprodurre il segnale audio da essa prodotto.

3 Presa IR/CTRL

Collegare un trasmettitore a RI (trasmettitore di raggi infrarossi) a questa presa per poter controllare un ricevitore AV YAMAHA registrato presso un client.

Se quest'unità viene collegata ad un client, questa presa funziona come un'uscita di segnale IR.

Quando quest'unità viene collegata ad un componente esterno e la sua modalità di funzionamento viene impostata su "C", questa presa funge da presa di ingresso di controllo del sistema.

4 Indicatore STATUS

Si illumina quando quest'unità è attiva (riceve un segnale). Si affievolisce quando quest'unità si trova in modalità di attesa.

Lampeggia rapidamente quando il circuito di protezione è stato attivato o si ha un'anormalità. Quando quest'unità viene collegata ad una sorgente di energia per la prima volta, si accende e si affievolisce alternatamente per 10 secondi.

5 Presa SW OUT

Collegare a questa presa un subwoofer per riprodurre i bassi.

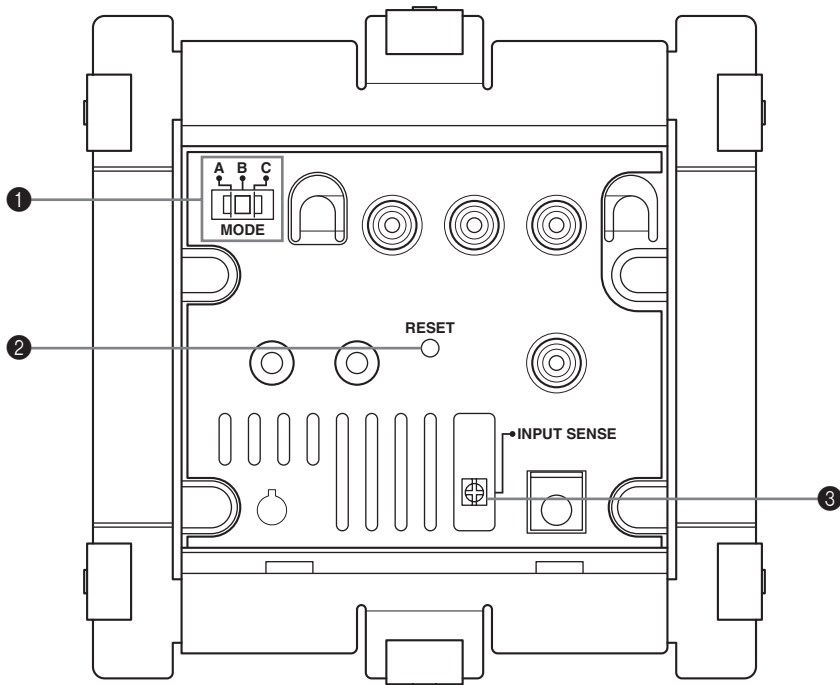
6 Presa VIDEO OUT

Collegare un televisore o monitor a questa presa per visualizzare il menu sullo schermo di un client con un televisore o monitor.

7 Presa DC IN 12V

Collegare l'adattatore di corrente alternata a questa presa in modo da alimentare quest'unità o un client.

Interno del pannello anteriore



❶ Interruttore MODE

Permette di impostare le varie modalità di funzionamento "A", "B" e "C" (vedi pagina 10).

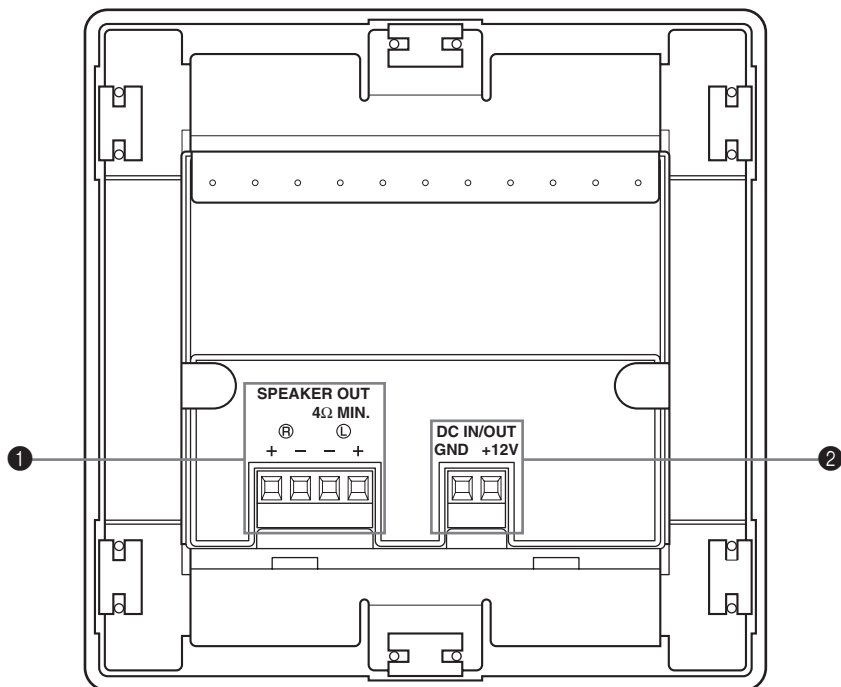
❷ Pulsante RESET

Reinizializza quest'unità dopo che il circuito di protezione si è attivato o la modalità di funzionamento è stata cambiata (vedere pagina 11).

❸ INPUT SENSE

Rileva la presenza di segnali in ingresso nella presa AUDIO IN (vedere pagina 11).

Pannello posteriore



❶ Terminali SPEAKER OUT

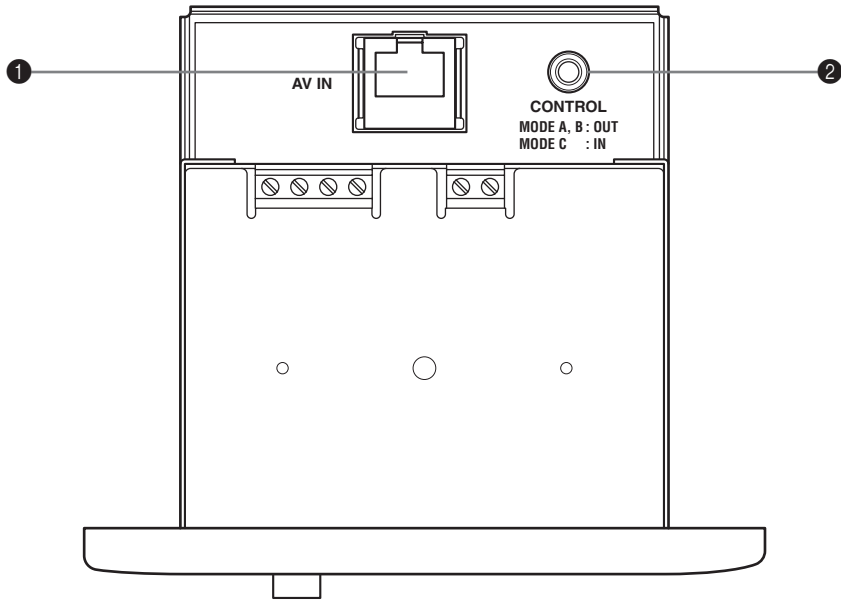
Collegare dei diffusori a queste prese usando cavi per diffusori del tipo in commercio.

❷ Terminali DC IN/OUT

Se quest'unità viene collegata solo ad un client, collegare il cavo di alimentazione a c.c. a questi terminali in modo da alimentare il client.

Quando quest'unità è collegata alla scatola I/O, usare questi terminali per ricevere potenza dalla scatola I/O.

Pannello inferiore



❶ Presa AV IN

Collegare un client a questa presa con un cavo CAT-5 (diritto) in dotazione al client per ricevere segnali dal client stesso.

❷ Presa CONTROL OUT/IN

Collegare un altro MCX-CA15 o un componente esterno a questa presa per controllare l'alimentazione di quest'unità.

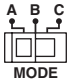
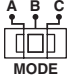
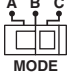
Modalità di uso

L'MCX-CA15 possiede tre modalità di uso differenti che facilitano il lavoro dell'utente. Prima di usare l'MCX-CA15, impostare sempre la modalità di uso "A", "B" o "C" adatta alla configurazione del proprio sistema.

ATTENZIONE

Prima di collegare l'MCX-CA15 ad una presa di corrente, impostare la modalità di uso.

■ Modalità di uso

Modalità	Uso
<p>Modalità A</p>  <p>MODE</p>	<p>Usare questa modalità per usare l'MCX-CA15 insieme ad un client. In questa modalità potete anche controllare un ricevitore AV YAMAHA collegato all'MCX-CA15 o alla scatola I/O box col telecomando del client facendo uso della tecnologia YAMAHA AV link. In questa modalità l'MCX-CA15 è del tutto controllabile dal client.</p>
<p>Modalità B</p>  <p>MODE</p>	<p>Usare questa modalità per usare l'MCX-CA15 come amplificatore di un sistema che non sia MusicCAST e fare accendere automaticamente l'MCX-CA15 o portarlo in modalità di attesa usando segnali in ingresso della funzione di rilevamento del livello di ingresso*. In questa modalità, l'alimentazione dell'MCX-CA15 viene controllata da segnali audio ricevuti da componenti esterni.</p>
<p>Modalità C</p>  <p>MODE</p>	<p>Usare questa modalità se volete usare l'MCX-CA15 come amplificatore in un sistema non MusicCAST e non vi serve la funzione di rilevamento del livello del segnale in ingresso*. In questa modalità, l'alimentazione dell'MCX-CA15 viene controllata da segnali di controllo ricevuti da componenti esterni.</p>

* Per dettagli sulla funzione di rilevamento del livello del segnale in ingresso, consultare page 11.

ATTENZIONE

Nelle modalità "B" e "C", non è possibile regolare il volume dall'MCX-CA15. Il segnale ricevuto dalla presa AUDIO IN non viene convertito prima di venire emesso. Se si emettono suoni forti, i vostri diffusori possono subire danni. Prima di riprodurre per la prima volta con dei componenti, abbassare il volume al minimo.

Note

- Nella modalità "B", se non viene ricevuto segnale per cinque minuti o più, l'MCX-CA15 si porta in modalità di attesa.
- Nelle modalità "B" e "C", se un componente viene collegato alla presa AUDIO IN, l'ingresso predefinito è "AUDIO IN". Tuttavia, se non si è collegato alcun componente, l'ingresso predefinito è "AV IN".
- Prima di collegare o scollegare un componente esterno alla o dalla presa AUDIO IN, non mancare di scollegare l'MCX-CA15 dalla sua presa di corrente.

■ Paragone delle modalità e descrizione delle loro funzioni

Modalità	Presenza IR/CTRL del pannello anteriore	Presenza CONTROL IN/OUT del pannello inferiore	Modalità di attesa automatica via sensore del livello di ingresso
Modalità A	Uscita a RI (che impiega la tecnologia YAMAHA AV link)	Uscita di controllo	No
Modalità B	(non disponibile)	Uscita di controllo	Sì
Modalità C	Ingresso di controllo	Ingresso di controllo	No

Le funzioni delle varie prese sono le seguenti:

Uscita IR

La presa IR/CTRL del pannello anteriore funziona come una presa di uscita di segnale a raggi infrarossi per la modalità "A". Potete collegare un trasmettitore a RI a questa presa e controllare un ricevitore AV YAMAHA usando tecnologia YAMAHA AV link.

Note

Quest'unità supporta solo frequenze di modulazione di raggi infrarossi di 38 kHz.

Uscita di controllo

La presa CONTROL IN/OUT del pannello inferiore funziona come presa di uscita di controllo nelle modalità "A" e "B". In questo caso, quest'unità è in grado di emettere energia da 3 a 30 V attraverso questa presa. Potete collegare un'altro MCX-CA15 a questa presa per controllarne l'accensione.

Ingresso di controllo

La presa IR/CTRL del pannello anteriore e quella CONTROL IN/OUT del pannello inferiore funzionano come presa di ingresso di controllo nella modalità "C". In questo caso, quest'unità è in grado di rilevare segnali da 3 a 30 V attraverso di esse. Potete collegarvi un altro MCX-CA15 o un componente esterno e controllarne l'alimentazione.

■ Cambio della modalità di funzionamento

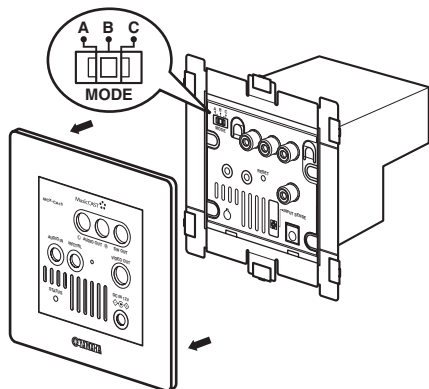
Potete cambiare la modalità di funzionamento dell'MCX-CA15 spostando il selettore MODE all'interno del pannello anteriore.

ATTENZIONE

- Prima di eseguire la configurazione automatica o manuale del client, controllare sempre che la modalità di funzionamento scelta sia giusta.
- Cambiata modalità di funzionamento, non mancare di premere RESET.

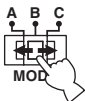
1 Prendere delicatamente i bordi del pannello anteriore e allontanarlo dall'unità principale.

Il selettore MODE è ora visibile nell'angolo superiore sinistro del pannello anteriore interno.



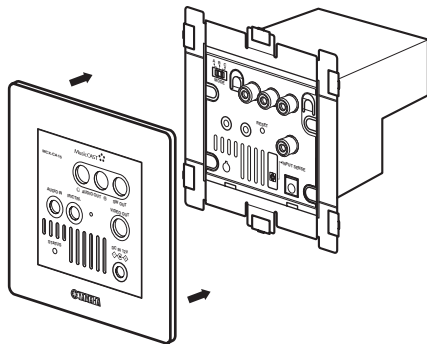
2 Portare il selettore MODE verso sinistra o destra sulla posizione della modalità di funzionamento desiderata.

Per dettagli sulle modalità di funzionamento ed il loro uso, consultare le pagine 8 e 9.



3 Premere RESET con una penna a sfera o altro oggetto simile.

4 Sostituire il pannello anteriore premendolo delicatamente verso l'unità principale fino a che non si sente un clic.



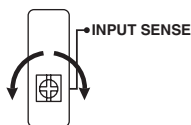
Funzione di rilevamento del livello d'ingresso

Nella modalità "B", l'MCX-CA15 si attiva automaticamente (uscendo dalla modalità di attesa) quando rileva un segnale da una sorgente esterna presso la presa AUDIO IN.

Potete usare INPUT SENSE per cambiare la soglia di rilevamento del segnale.

Girare INPUT SENSE verso destra per aumentare il livello di soglia.

Girare INPUT SENSE verso sinistra per diminuire il livello di soglia.

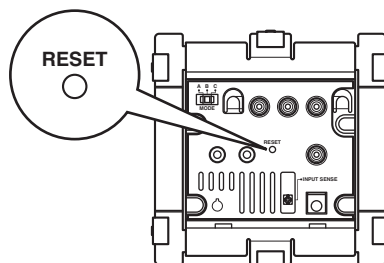


Note

- Se non viene rilevato alcun segnale per cinque minuti o più, questa funzione automaticamente porta l'MCX-CA15 in modalità di attesa.
- Nella modalità di attesa, il segnale emesso dall'MCX-CA15 viene silenziato.
- Se si gira INPUT SENSE del tutto verso sinistra, l'MCX-CA15 rimane sempre attivo. Se lo si gira del tutto verso destra, l'MCX-CA15 rimane sempre in pausa.
- Questa funzione è disponibile solo quando l'MCX-CA15 viene portato nella modalità "B".

Pulsante RESET


Il pulsante RESET si trova all'interno del pannello anteriore.



Premere il pulsante RESET per riavviare l'MCX-CA15 solo se:

- Il circuito di protezione dell'MCX-CA15 si è attivato e l'unità si è spenta automaticamente.
- Si è cambiata la modalità di funzionamento usando l'interruttore MODE.

Nota

Se l'MCX-CA15 viene collegato ad un client e volete reinizializzare il sistema, mantenere premuto  del client per dieci secondi.

DIAGNOSTICA

Se l'MCX-CA15 non funziona correttamente, consultare la sezione che segue. Se il problema che avete non viene trattato o se i rimedi proposti non servono, scollegare il cavo di alimentazione ed entrare in contatto col rivenditore autorizzato o centro assistenza YAMAHA più vicino.

Problema	Causa	Rimedio	Consultare pagina
La funzione di tecnologia AV link non funziona correttamente.	Il segnale è debole (solo collegamenti via trasmettitore a RI).	Posizionare il trasmettitore a RI in modo che sia in linea con il ricevitore di telecomando del componente esterno.	—
Il client non emette alcun suono.	Il volume del client è basso.	Aumentare il volume.	Manuale di uso rapido, pagina 9
	I diffusori non sono collegati correttamente all'MCX-CA15.	Controllare i collegamenti fra i diffusori e l'MCX-CA15.	Manuale d'installazione, pagina 11
Usando l'MCX-CA15 si producono interferenze sulle radio vicine.	L'MCX-CA15 e la radio sono troppo vicini l'uno all'altro.	Installare l'MCX-CA15 e la radio ad almeno un metro di distanza.	—
L'indicatore STATUS del pannello anteriore dell'MCX-CA15 lampeggia rapidamente.	I cavi non sono collegati correttamente.	Collegare correttamente i cavi. Se si usa l'MCX-CA15 in un sistema MusicCAST, premere $\odot/ $ del client per 10 secondi per reiniziare il sistema. Se si usa l'MCX-CA15 come amplificatore per un altro sistema, premere RESET dell'interno del pannello anteriore dell'MCX-CA15 per reiniziare quest'unità.	11
	Si usano diffusori di bassa impedenza.	Usare diffusori di almeno 4 Ω di impedenza. Se si usa l'MCX-CA15 in un sistema MusicCAST, premere $\odot/ $ del client per 10 secondi per reiniziare il sistema. Se si usa l'MCX-CA15 come amplificatore per un altro sistema, premere RESET dell'interno del pannello anteriore dell'MCX-CA15 per reiniziare quest'unità.	11

DATI TECNICI

PRESTAZIONI AUDIO


- Potenza di uscita RMS minima
1 kHz, 1% di DAC 13 W + 13 W
- Potenza massima (EIAJ)
1 kHz, 10% di DAC 17 W + 17 W o 18 W (1 can.)
- Risposta in frequenza (EIAJ) Da 20 Hz a 20 kHz, $\pm 1,0$ dB
- Distorsione armonica complessiva + rumore (EIAJ) 0,008%
- Rapporto segnale/rumore (EIAJ) 98 dB
- Gamma dinamica (EIAJ) 98 dB
- Sensibilità/impedenza d'ingresso (1 kHz, 1% di DAC)
Modalità A e B 220 mV/3 k Ω
Modalità C 780 mV/3 k Ω
- Livello/impedenza di uscita
AUDIO OUT (ingresso da 1 kHz, 220 mV da AUDIO IN) 1,0 Vrms/1 k Ω
AUDIO OUT (1 kHz, 0 dB, ingresso di volume da -20 dB da un MCX-C15 collegato con un cavo
CAT-5 (diritto) da 2 m) 1,0 Vrms/1 k Ω
SW OUT (ingresso da 50 Hz, 220 mV da AUDIO IN) 1,0 Vrms/2,1 k Ω

CARATTERISTICHE DI CARATTERE GENERALE

- Alimentazione C.a. da 100 a 240 V, 50/60 Hz
- Consumo 40 W
- Temperature di lavoro Da +5° C a +35° C
- Dimensioni (L x A x P) 120 x 120 x 105 mm
- Peso (senza adattatore di c.a.) 0,6 kg

* Tutti i dati tecnici sono soggetti a modifiche senza preavviso.

PRECAUCIÓN: LEA ESTO ANTES DE UTILIZAR SU UNIDAD.

- 1 Lea con atención este manual para asegurar el mejor rendimiento posible de su unidad. Guárdelo en un lugar seguro para consultarlo en el futuro.
- 2 Instale estas unidades en un lugar bien ventilado, fresco, seco y limpio: alejadas de la luz solar directa, fuentes de calor, vibración, polvo, humedad y/o frío. Deje un espacio de ventilación de 10 cm como mínimo por las partes superior, inferior, derecha e izquierda. Asegúrese también de que la parte trasera de estas unidades no toque la pared opuesta.
- 3 Coloque estas unidades lejos de otros aparatos eléctricos, motores o transformadores para evitar ruidos de zumbido.
- 4 No exponga estas unidades a cambios repentinos de temperatura, del frío al calor, y no las coloque tampoco en un lugar donde haya mucha humedad (una habitación con un humidificador, por ejemplo) para evitar que se forme condensación en su interior, lo que podría causar una descarga eléctrica, un incendio, daños en estas unidades y/o lesiones a personas.
- 5 Evite instalar estas unidades donde puedan caer sobre ellas objetos extraños, y/o donde puedan quedar expuestas a goteos o salpicaduras. Encima de estas unidades no coloque:
 - Otros componentes, porque podrían causar daños y/o descoloración en la superficie de estas unidades.
 - Objetos con fuego (como velas), porque podrían causar un incendio, daños en estas unidades, y/o lesiones a las personas.
 - Recipientes con líquidos, porque podrían caerse y el líquido podría dar una descarga eléctrica al usuario y/o dañar estas unidades.
- 6 No tape estas unidades con un periódico, mantel, cortina, etc. para no obstruir la radiación de calor. Si sube la temperatura dentro de estas unidades se puede causar un incendio, daños en estas unidades y/o daños a personas.
- 7 No enchufe estas unidades en una toma de corriente hasta después de terminar todas las demás conexiones.
- 8 No utilice estas unidades al revés. Podrán recalentarse y causar posiblemente daños.
- 9 No utilice fuerza con los conmutadores, controles y/o cables.
- 10 Cuando desconecte el cable de alimentación de una toma de corriente sujete la clavija y tire de ella; no tire del propio cable.
- 11 No limpie estas unidades con disolventes químicos porque podría dañar el acabado. Utilice un paño limpio y seco.
- 12 Sólo deberá utilizarse la tensión especificada en estas unidades. Utilizar estas unidades con una tensión superior a la especificada es peligroso y puede causar un incendio, daños en estas unidades y/o daños a personas. YAMAHA no se hará responsable de ningún daño debido a la utilización de estas unidades con una tensión diferente de la especificada.
- 13 Para impedir daños causados por rayos, desconecte el cable de alimentación de la toma de corriente durante una tormenta eléctrica.
- 14 No intente modificar ni arreglar estas unidades. Póngase en contacto con personal de servicio YAMAHA cualificado cuando necesite hacer reparaciones. La caja no deberá abrirse nunca por ninguna razón.
- 15 Cuando no piense utilizar estas unidades durante mucho tiempo (cuando se vaya de vacaciones, por ejemplo), desconecte la clavija de alimentación de CA de la toma de corriente.
- 16 Asegúrese de leer la sección “TROUBLESHOOTING” (“SOLUCIÓN DE PROBLEMAS”) del manual del propietario del MCX-C15 o del manual del propietario del MCX-CA15 para conocer los errores de utilización más comunes antes de llegar a la conclusión de que ambas unidades están defectuosas.
- 17 Antes de trasladar estas unidades, pulse /I en el MCX-C15 para ponerlas en el modo de espera, y desconecte la clavija de alimentación de la toma de corriente.
- 18 Asegúrese de utilizar el adaptador de CA (LSE0215C1240) suministrado con el MCX-C15. La utilización de un adaptador de CA diferente del suministrado puede causar un incendio o dañar estas unidades.
- 19 Estas unidades han sido diseñadas para ser utilizadas en casa solamente. No utilice nunca estas unidades en un automóvil, etc. De lo contrario podrían funcionar mal.

Estas unidades no se desconectan de la fuente de alimentación de CA hasta que se desenchufan de la toma de corriente, aunque se encuentren apagadas. A este estado se le llama modo de espera. En este estado, estas unidades consumen una cantidad de corriente muy pequeña.

ADVERTENCIA

PARA REDUCIR EL RIESGO DE CAUSAR UN INCENDIO O SUFRIR UNA DESCARGA ELÉCTRICA, NO EXPONGA ESTAS UNIDADES A LA LLUVIA NI A LA HUMEDAD.

PRECAUCIÓN

Peligro de explosión si las pilas se colocan mal. Reemplácelas solamente por otras del mismo tipo o de tipo equivalente.

ÍNDICE

INTRODUCCIÓN

CARACTERÍSTICAS	2
ACCESORIOS SUMINISTRADOS.....	3
CONTROLES Y FUNCIONES	4
Panel delantero	4
Dentro del panel delantero.....	5
Panel trasero	6
Panel inferior	7

UTILIZACIÓN DEL MCX-CA15

FUNCIONAMIENTO.....	8
Modos de funcionamiento	8
Función sensora del nivel de entrada.....	11
Botón RESET	11

INFORMACIÓN ADICIONAL

SOLUCIÓN DE PROBLEMAS.....	12
ESPECIFICACIONES	13

INTRODUCCIÓN

UTILIZACIÓN
DEL MCX-CA15

INFORMACIÓN
ADICIONAL

Español


CARACTERÍSTICAS

El MusicCAST MCX-CA15 Distributed Audio Amplifier (a partir de ahora "MCX-CA15") ha sido diseñado para dar salida a una potencia de alta calidad de 34 W (17 W por canal) emparejado con un MusicCAST MCX-C15 Distributed Audio Controller (a partir de ahora el "cliente") con el que completa el sistema MusicCAST, o se puede utilizar como un amplificador integrado con un sistema de audio existente. Como compañero de su cliente, el MCX-CA15 se puede controlar completamente desde el cliente, y funciona como un amplificador de potencia y un distribuidor de potencia CC. El amplificador proporciona potencia de alta calidad a todos los altavoces conectados, y puede mostrar las visualizaciones en pantalla (OSD) del cliente en un televisor o monitor conectado al MCX-CA15. Como amplificador independiente, el MCX-CA15 proporciona flexibilidad con dos modos de funcionamiento entre los que elegir.

El MCX-CA15 ha sido diseñado para ofrecerle las características siguientes:

- ◆ Conmutador selector del modo de funcionamiento con tres ajustes para uso personalizado
- ◆ Potencia de salida de alta calidad de hasta 34 W (17 W por canal)
- ◆ Moderno diseño de instalación en pared con placa frontal que se puede pintar para hacer juego con el interior
- ◆ Terminales de salida para altavoz de subgraves y altavoz instalado en pared
- ◆ Salida de preamplificador seleccionable para usar con un sistema de audio externo
- ◆ Salida de vídeo en pantalla para visualizar menús en un televisor o monitor cuando se utiliza con un cliente
- ◆ Salida IR flasher utilizando la tecnología de enlace AV de YAMAHA cuando se utiliza con un cliente
- ◆ Salida de CC a un cliente

Acerca de este manual

-  indica un consejo para su utilización.
- Para conocer detalles de la instalación y de la configuración de red, consulte el manual de instalación suministrado.
- Este manual se imprime antes de la producción. El diseño y las especificaciones están sujetos a cambios por motivo de mejoras, etc. Si hay diferencias entre el manual y el producto, el producto tiene prioridad.

Este aparato debe ser instalado por un técnico cualificado como se indica en el manual de instalación suministrado. No intente instalar este aparato usted mismo.

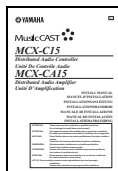
ACCESORIOS SUMINISTRADOS

Después de desembalar, verifique que ha recibido todos los componentes siguientes.

Manual del propietario (este manual)



Manual de instalación



4 espaciadores

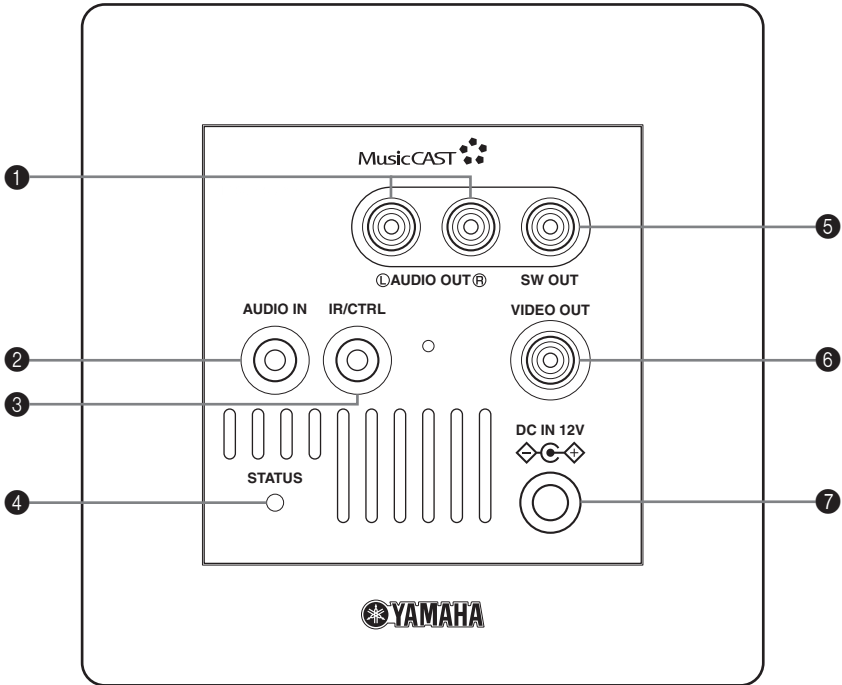


Cable con clavija/miniclavija



CONTROLES Y FUNCIONES

Panel delantero



1 Jacks AUDIO OUT

Conecte un receptor o amplificador (fuente de entrada de audio) a estas tomas.

2 Jack AUDIO IN

Conecte una fuente estéreo externa como, por ejemplo, un reproductor DVD o un amplificador si quiere escuchar el sonido de esa fuente.

3 Jack IR/CTRL

Conecte un IR flasher (emisor de infrarrojos) a este jack si quiere controlar un receptor AV YAMAHA registrado como un cliente.

Cuando esta unidad se conecta a un cliente, este jack funciona como un jack de salida IR.

Cuando esta unidad se conecta a un componente externo y el modo de funcionamiento se pone en "C", este jack funciona como un jack de entrada de control.

4 Indicador STATUS

Se enciende cuando se activa esta unidad (recepción de una señal).

Se apaga cuando esta unidad se pone en el modo de espera. Parpadea rápidamente cuando se activa un circuito de protección o se produce algún problema.

Cambia entre encendida y apagada durante 10 segundos cuando esta unidad se conecta por primera vez a una toma de corriente.

5 Jack SW OUT

Conecte un altavoz de subgraves a este jack para realzar las frecuencias bajas.

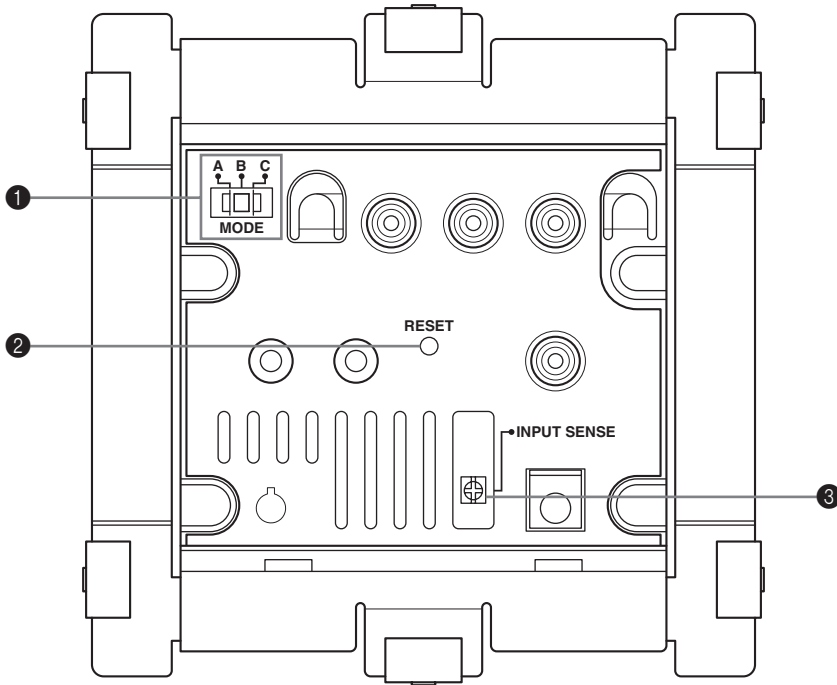
6 Jack VIDEO OUT

Conecte un televisor o monitor a este jack si usted quiere visualizar un menú en pantalla del cliente en el televisor/monitor.

7 Jack DC IN 12V

Conecte el adaptador de CA a este jack para suministrar alimentación a esta unidad o distribuirla al cliente.

Dentro del panel delantero



❶ Conmutador MODE

Cambia entre los modos de funcionamiento “A”, “B” y “C” (vea la página 10).

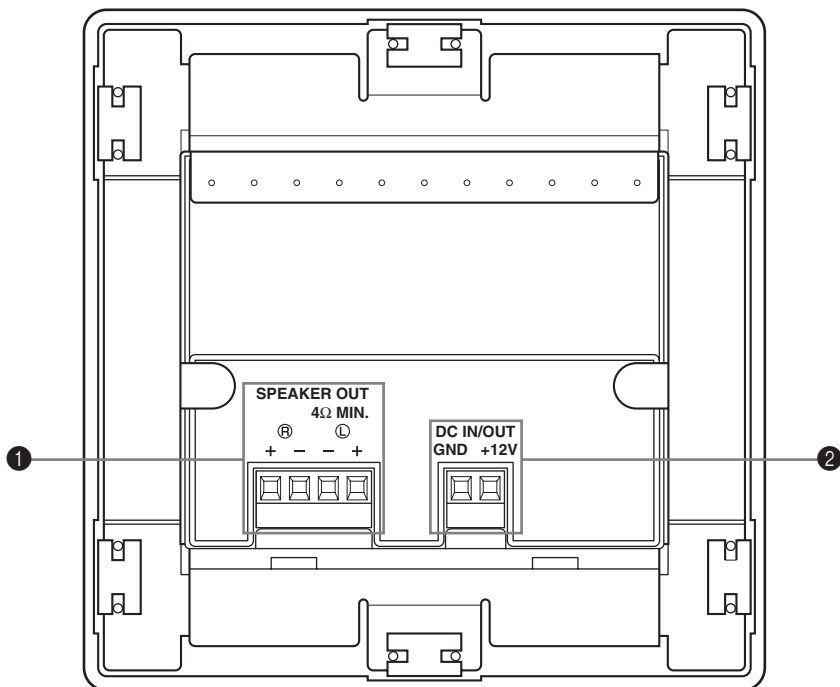
❷ Botón RESET

Repone esta unidad después de activarse el circuito de protección o cambiarse el modo de operación (consulte la página 11).

❸ INPUT SENSE

Detecta la presencia de las señales introducidas por el jack AUDIO IN (consulte la página 11).

Panel trasero



❶ Terminales SPEAKER OUT

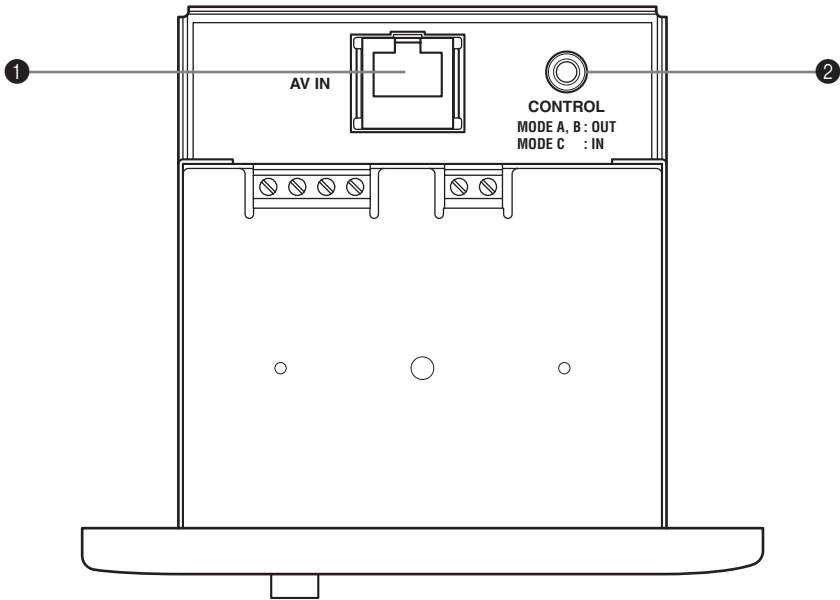
Conecte los altavoces a estos jacks utilizando cables de altavoces de venta en el comercio.

❷ Terminales DC IN/OUT

Cuando esta unidad se conecte a un cliente solamente, conecte el cable de alimentación de CC a estos terminales para suministrar alimentación al cliente.

Cuando esta unidad se conecte a la caja de entrada/salida, utilice estos terminales para recibir alimentación desde la caja de entrada/salida.

Panel inferior



1 Jack AV IN

Conecte un cliente a este jack empleando el cable CAT-5 (recto) suministrado con el cliente para introducir señales desde el mismo.

2 Jack CONTROL OUT/IN

Conecte otro MCX-CA15 o componente externo a este jack para controlar la potencia de esta unidad.

FUNCIONAMIENTO

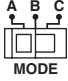
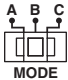
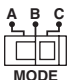
Modos de funcionamiento

El MCX-CA15 dispone de tres modos de funcionamiento diferentes para ofrecer mayor flexibilidad al usuario. Antes de utilizar el MCX-CA15 tendrá que poner el modo de funcionamiento “A”, “B” o “C” dependiendo de la configuración de su sistema.

PRECAUCIÓN

Asegúrese de poner el modo de funcionamiento antes de conectar el MCX-CA15 a una toma de corriente.

■ Modos de funcionamiento

Modo	Utilización
Modo A  MODE	Utilice este modo si quiere utilizar el MCX-CA15 como un compañero de un cliente. En este modo, utilizando la tecnología de enlace AV de YAMAHA, con el mando a distancia usted puede controlar también un receptor AV YAMAHA conectado al MCX-CA15 o a la caja de entrada/salida. En este modo, el MCX-CA15 se puede controlar completamente desde el cliente.
Modo B  MODE	Utilice este modo si quiere utilizar el MCX-CA15 como un amplificador para un sistema que no sea el sistema MusicCAST, y si usted quiere también encender el MCX-CA15 o ponerlo en el modo de espera utilizando las señales de entrada con la función sensora del nivel de la entrada*. En este modo, la alimentación del MCX-CA15 se controla con la entrada de señales de audio procedente del componente externo conectado.
Modo C  MODE	Utilice este modo si quiere utilizar el MCX-CA15 como un amplificador para otro sistema que no sea el MusicCAST, y si usted no quiere utilizar la función sensora del nivel de la entrada*. En este modo, la alimentación del MCX-CA15 se controla con la entrada de señales de control procedente del componente externo conectado.

* Para conocer detalles de la función sensora del nivel de la entrada, consulte página 11.

PRECAUCIÓN

En los modos “B” y “C”, usted puede ajustar el nivel del sonido desde el MCX-CA15. Las señales introducidas por el jack AUDIO IN no se convierten antes de salir. Si sale un sonido alto, sus altavoces pueden estropearse. Antes de escuchar la reproducción de componentes por primera vez, baja el volumen del componente al mínimo.

Notas

- En el modo “B”, si no se detecta ninguna señal durante cinco minutos o más, el MCX-CA15 entrará en el modo de espera.
- En los modos “B” y “C”, cuando se conecte un componente al jack AUDIO IN, el ajuste de entrada predeterminado será “AUDIO IN”. Sin embargo, cuando no haya ningún componente conectado, el ajuste predeterminado será “AV IN”.
- Antes de conectar un componente externo al jack AUDIO IN o desconectarlo del mismo, asegúrese de desenchufar el MCX-CA15 de la fuente de alimentación.

■ Comparación de modos y resumen del funcionamiento

Modo	Jack IR/CTRL en el panel delantero	Jack CONTROL IN/OUT en el panel inferior	Espera automática con sensor de nivel de entrada
Modo A	Salida de IR (utilizando tecnología de enlace AV de YAMAHA)	Salida de control	No
Modo B	(No disponible)	Salida de control	Sí
Modo C	Entrada de control	Entrada de control	No

Las diversas funciones de cada jack son las siguientes:

Salida de IR

El jack IR/CTRL del panel delantero funciona como un jack de salida IR en el modo “A”. Utilizando la tecnología de enlace de AV de YAMAHA puede conectar un IR flasher a este jack para controlar un receptor AV de YAMAHA.

Nota

Esta unidad sólo es compatible con las frecuencias de modulación de IR de 38 kHz.

Salida de control

El jack CONTROL IN/OUT del panel inferior funciona como un jack de salida de control en los modos “A” y “B”. En este caso, esta unidad es capaz de dar salida a una potencia de la gama de 3 a 30 V desde este jack. Puede conectar otro MCX-CA15 a este jack para controlar la potencia de ese MCX-CA15.

Entrada de control

El jack IR/CTRL del panel delantero y el jack CONTROL IN/OUT del panel inferior funcionan como un jack de entrada de control en el modo “C”. En este caso, esta unidad es capaz de detectar señales dentro de una gama de 3 a 30 V desde estos jacks. Puede conectar otro MCX-CA15 o un componente externo a estos jacks para controlar la potencia de esta unidad.

■ Para cambiar el modo de funcionamiento

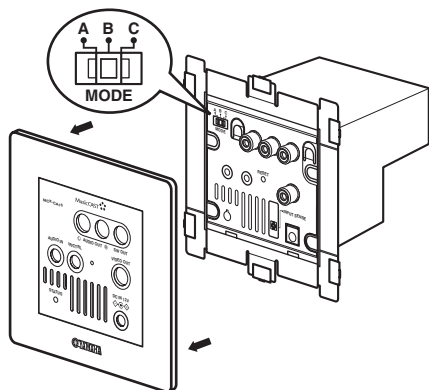
Puede cambiar entre los modos de funcionamiento en el MCX-CA15 deslizando hacia la derecha e izquierda el conmutador MODE situado dentro del panel delantero.

PRECAUCIÓN

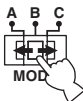
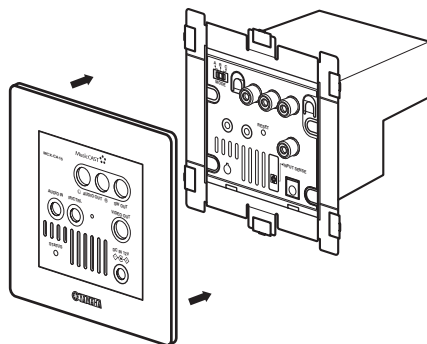
- Compruebe siempre que el modo de funcionamiento esté ajustado correctamente antes de realizar la configuración automática o manual en el cliente.
- Asegúrese de pulsar RESET después de cambiar el modo de funcionamiento.

1 Sujete cuidadosamente los bordes del panel delantero y y retírelo de la unidad principal.

El conmutador MODE se puede ver ahora en la esquina superior izquierda de detrás del panel delantero.

**2 Deslice el conmutador MODE hacia la derecha o hacia la izquierda para establecer el modo de funcionamiento deseado.**

Para conocer detalles acerca de los modos de funcionamiento y sus funciones, consulte las páginas 8 y 9.

**3 Pulse RESET utilizando un bolígrafo u objeto similar.****4 Vuelva a poner el panel delantero empujándolo suavemente hacia la unidad principal hasta que haga un ruido seco.**

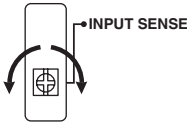
Función sensora del nivel de entrada

En el modo “B”, el MCX-CA15 se activa (sale del modo de espera) automáticamente cuando su circuito nota una entrada de señal procedente de la fuente externa conectada al jack AUDIO IN.

Puede utilizar INPUT SENSE para cambiar el umbral de la señal detectable.

Gire INPUT SENSE hacia la derecha para aumentar el umbral de la señal detectable.

Gire INPUT SENSE hacia la izquierda para reducir el umbral de la señal detectable.

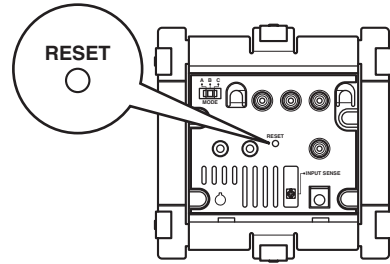


Notas

- Si no se detecta una entrada durante cinco minutos o más, esta función cambia automáticamente al modo de espera MCX-CA15.
- En el modo de espera, la salida del MCX-CA15 se silencia.
- Si gira INPUT SENSE completamente hacia la izquierda, el MCX-CA15 permanece siempre activado. Si lo gira completamente hacia la derecha, el MCX-CA15 permanece siempre en el modo de espera.
- Esta función sólo se encuentra disponible cuando el MCX-CA15 se pone en el modo “B”.

Botón RESET

El botón RESET está en el interior del panel delantero.



Pulse el botón RESET para reiniciar el MCX-CA15 sólo si:

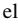
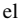
- El circuito de protección del MCX-CA15 ha sido activado y la unidad se ha desactivado a sí misma.
- Ha cambiado el modo de funcionamiento con el conmutador MODE.

Nota

Cuando el MCX-CA15 esté conectado a un cliente y usted quiera reponer el sistema, mantenga pulsado en el cliente durante diez segundos.

SOLUCIÓN DE PROBLEMAS

Consulte la tabla de abajo si el MCX-CA15 no funciona correctamente. Si el problema que usted tiene no está en la lista de abajo o las instrucciones no sirven de ayuda, desconecte el cable de alimentación y póngase en contacto con el centro de servicio o concesionario YAMAHA autorizado mas cercano.

Problema	Causa	Remedio	Consulte la página
La función de la tecnología de enlace AV no funciona correctamente.	La señal es débil (para las conexiones de IR flasher solamente).	Ponga el IR flasher donde no haya obstrucciones entre él y el receptor de señales de mando a distancia del componente externo.	—
El cliente no da salida a ningún sonido.	El ajuste del volumen del cliente está bajo.	Aumente el ajuste del volumen.	Manual de uso rápido, página 9
	Los altavoces no están conectados correctamente al MCX-CA15.	Compruebe las conexiones entre los altavoces y el MCX-CA15.	Manual de instalación, página 11
La utilización del MCX-CA15 produce ruidos de interferencia en radios cercanas.	El MCX-CA15 y la radio están demasiado cerca el uno del otro.	Separe el MCX-CA15 y la radio un metro como mínimo.	—
El indicador STATUS del panel delantero del MCX-CA15 parpadea rápidamente.	Los cables no están bien conectados.	Conecte correctamente los cables. Cuando utilice el MCX-CA15 en el sistema MusicCAST, pulse  /I en el cliente durante 10 segundos para reponer el sistema. Cuando utilice el MCX-CA15 como un amplificador para otro sistema, pulse RESET en el interior del panel delantero del MCX-CA15 para reponer esta unidad.	11
	Está utilizando altavoces de baja impedancia.	Utilice altavoces con una impedancia de 4 Ω como mínimo. Cuando utilice el MCX-CA15 en el sistema MusicCAST, pulse  /I en el cliente durante 10 segundos para reponer el sistema. Cuando utilice el MCX-CA15 como un amplificador para otro sistema, pulse RESET en el interior del panel delantero del MCX-CA15 para reponer esta unidad.	11

ESPECIFICACIONES

RENDIMIENTO DE AUDIO

- Potencia de salida RMS mínima
1 kHz, THD de 1% 13 W + 13 W
- Potencia máxima (EIAJ)
1 kHz, THD de 10% 17 W + 17 W o 18 W (1 ch)
- Respuesta de frecuencia (EIAJ) 20 Hz a 20 kHz, $\pm 1,0$ dB
- Distorsión armónica total + ruido (EIAJ) 0,008%
- Relación señal a ruido (EIAJ) 98 dB
- Gama dinámica (EIAJ) 98 dB
- Sensibilidad/impedancia de entrada (1 kHz, THD de 1%)
Modos A y B 220 mV/3 k Ω
Modo C 780 mV/3 k Ω
- Nivel/impedancia de salida
AUDIO OUT (1 kHz, entrada de 220 mV desde AUDIO IN) 1,0 Vrms/1 k Ω
AUDIO OUT (1 kHz, 0 dB, volumen de entrada de -20 dB desde el MCX-C15 conectado con un cable CAT-5 de
2 metros (recto)) 1,0 Vrms/1 k Ω
SW OUT (50 Hz, entrada de 220 mV desde el AUDIO IN) 1,0 Vrms/2,1 k Ω


GENERALIDADES

- Alimentación CA 100 a 240 V, 50/60 Hz
- Consumo 40 W
- Temperatura de funcionamiento +5°C a +35°C
- Dimensiones (An x Al x Prof) 120 x 120 x 105 mm
- Peso (sin adaptador de CA) 0,6 kg

* Las especificaciones de arriba están sujetas a cambios sin previo aviso.

LET OP: LEES DIT VOOR U UW TOESTEL GAAT GEBRUIKEN.

- 1 Om verzekerd te kunnen zijn van optimale prestaties, dient u deze handleiding zorgvuldig door te lezen. Bewaar de handleiding op een veilige plek zodat u er later nog eens iets in kunt opzoeken.
- 2 Installeer deze toestellen op een goed geventileerde, koele, droge en schone plek — uit de buurt van direct zonlicht, warmtebronnen, trillingen, stof, vocht en/of kou. Laat boven, onder en aan de linker- en rechterkant een ventilatieruimte van minstens 10 cm vrij. Zorg er ook voor dat de achterkant van deze toestellen de tegenoverliggende wand niet kan raken.
- 3 Houd deze toestellen uit de buurt van andere elektrische apparatuur, motoren of transformatoren om storende bromgeluiden te voorkomen.
- 4 Stel deze toestellen niet bloot aan plotselinge temperatuurschommelingen van koud naar warm en plaats ze niet in zeer vochtige omstandigheden (bijv. in een ruimte met een luchtbevochtiger) te voorkomen dat in het binnenwerk condensvorming optreedt, hetgeen zou kunnen leiden tot elektrische schokken, brand, schade aan deze toestellen en/of persoonlijk letsel.
- 5 Installeer deze toestellen niet op plekken waar er dingen op kunnen vallen en/of waar ze bloot kunnen staan aan druppelende of spetterende vloeistoffen. Zet de volgende dingen NIET bovenop deze toestellen:
 - Andere componenten, want deze kunnen de behuizing van deze toestellen beschadigen en/of doen verkleuren.
 - Brandende voorwerpen (bijv. kaarsen), want deze kunnen brand veroorzaken, deze toestellen beschadigen en/of persoonlijk letsel veroorzaken.
 - Voorwerpen die vloeistoffen bevatten, want deze kunnen vallen en de vloeistof kan de gebruiker elektrische schokken opleveren en/of deze toestellen beschadigen.
- 6 Dek deze toestellen in geen geval af met een krant, tafellaken, gordijn enz. zodat de koeling niet belemmerd wordt. Als de temperatuur in het binnenwerk van deze toestellen oploopt, kan dit brandgevaar opleveren en leiden tot schade aan deze toestellen en/of persoonlijk letsel.
- 7 Steek de stekkers van deze toestellen pas in het stopcontact wanneer alle aansluitingen gemaakt zijn.
- 8 Gebruik deze toestellen niet ondersteboven. Hierdoor kunnen ze oververhit raken, hetgeen mogelijk kan leiden tot schade.
- 9 Zet niet teveel kracht op de bedieningsorganen en/of de snoeren.
- 10 Pak de stekker vast wanneer u deze uit het stopcontact haalt, trek niet aan het snoer.
- 11 Maak de toestellen niet schoon met chemische oplosmiddelen; deze kunnen de afwerking beschadigen. Gebruik een schone, droge doek.
- 12 Deze toestellen mogen alleen op het voltage dat op de toestellen zelf staat aangegeven worden gebruikt. Gebruik van deze toestellen op een hogere spanning dan het aangegeven voltage is gevaarlijk en kan leiden tot brand, schade aan deze toestellen en/of persoonlijk letsel. YAMAHA aanvaardt geen aansprakelijkheid voor schade als gevolg van gebruik van deze toestellen op een ander voltage dan staat aangegeven.
- 13 Om schade door blikseminslag te voorkomen dient u bij onweer de stekker uit het stopcontact te halen.

- 14 Probeer in geen geval deze toestellen zelf te modificeren of te repareren. Neem contact op met bevoegd YAMAHA onderhoudspersoneel wanneer dat nodig is. Maak in geen geval de behuizing open.
- 15 Wanneer u deze toestellen langere tijd niet zult gebruiken (wanneer u bijvoorbeeld op vakantie gaat), dient u de stekker uit het stopcontact te halen.
- 16 Lees eerst het hoofdstuk "TROUBLESHOOTING" ("OPLOSSEN VAN PROBLEMEN") in de handleiding van de MCX-C15 of de MCX-CA15 over vaak voorkomende problemen en fouten voor u de conclusie trekt dat één of beide toestellen kapot zijn.
- 17 Voor u deze toestellen gaat verplaatsen, dient u op /I op de MCX-C15 te drukken om ze in de slaapstand te zetten en dan de stekker uit het stopcontact te halen.
- 18 U moet de netstroomadapter (LSE0215C1240) gebruiken die wordt meegeleverd met de MCX-C15. Gebruik van een andere netstroomadapter kan leiden tot brand of beschadiging van deze toestellen.
- 19 Deze toestellen zijn uitsluitend bedoeld voor gebruik in de huiselijke kring. Gebruik deze toestellen in geen geval in een auto o.i.d. Hierdoor zullen de toestellen kapot gaan.

Deze toestellen zijn niet losgekoppeld van hun wisselstroombron zolang de stekker in het stopcontact zit, ook niet wanneer het toestel zelf uit staat. Deze toestand noemen we de 'slaapstand'. In deze stand zijn de toestellen ontworpen om zo min mogelijk stroom te verbruiken.

WAARSCHUWING

OM HET GEVAAR VAN BRAND OF ELEKTRISCHE SCHOKKEN TE VERMINDEREN, MAG DIT TOESTEL NIET WORDEN BLOOTGESTELD AAN REGEN OF VOCHT.

LET OP

De batterij kan barsten of ontploffen wanneer deze verkeerd wordt ingezet. Vervang de batterij uitsluitend door één van hetzelfde type.



Alleen voor klanten in Nederlands

Bij dit product zijn batterijen geleverd. Wanneer deze leeg zijn, moet u ze niet weggooiden maar inleveren als KCA.

INHOUDSOPGAVE

INLEIDING

KENMERKEN	2
MEEGELEVERDE ACCESSOIRES ...	3
BEDIENINGSORGANEN EN	
FUNCTIES.....	4
Voorpaneel	4
Achter het voorpaneel.....	5
Achterpaneel.....	6
Onderpaneel.....	7

GEBRUIKEN VAN DE MCX-CA15

BEDIENING	8
Gebruiksstanden	8
Ingangsniveau-detectie	11
RESET knopje	11

AANVULLENDE INFORMATIE

OPLOSSEN VAN PROBLEMEN	12
TECHNISCHE GEGEVENS.....	13

INLEIDING

GEBRUIKEN VAN
DE MCX-CA15

AANVULLENDE
INFORMATIE

Nederlands


KENMERKEN

De MusicCAST MCX-CA15 Distributed Audio Amplifier (in het vervolg: de “MCX-CA15”) is ontworpen met een uitgangsvermogen van 34 W (17 W per kanaal) in combinatie met een MusicCAST MCX-C15 Distributed Audio Controller (in het vervolg de “client” te noemen) ter completering van het MusicCAST systeem, of als een versterker binnen een reeds bestaand audiosysteem. In combinatie met uw ‘client’ kan de MCX-CA15 volledig bediend worden via de client en zal functioneren als eindversterker en gelijkstroombron. Dit toestel zal alle aangesloten luidsprekers voorzien van hoge kwaliteitssignalen en kan het in-beeld display (OSD) van uw client weergeven op een TV of monitor die is aangesloten op de MCX-CA15. Als alleenstaande versterker biedt de MCX-CA15 u grote flexibiliteit met twee verschillende gebruiksstanden.

De MCX-CA15 is ontworpen met de volgende functies:

- ◆ Keuzeschakelaar met drie standen voor het aanpassen van het toestel aan uw wensen
- ◆ Maximaal 34 W (17 W per kanaal) eindvermogen met hoge geluidskwaliteit
- ◆ Modern inbouwconcept met verfbaar voorpaneel dat af te stemmen is op ieder interieur
- ◆ Uitgangsaansluitingen in de wand voor luidsprekers en subwoofer
- ◆ Instelbare voorversterker-uitgang voor gebruik met een extern audiosysteem
- ◆ Video-uitgang voor weergave van menuschermen op een TV of monitor in combinatie met een client
- ◆ IR flasher uitgang met YAMAHA AV koppelingstechnologie in combinatie met een client
- ◆ Gelijkstroomuitgang voor een client

Over deze handleiding

-  geeft een bedieningstip aan.
- Voor details omtrent de installatie en de configuratie van het netwerk verwijzen we u naar de meegeleverde Installatiehandleiding.
- Deze handleiding is gedrukt voor uw toestel geproduceerd werd. Daarom kunnen ontwerp en specificaties gewijzigd zijn als gevolg van verbeteringen enz. Als de handleiding en het product van elkaar verschillen, heeft het product de prioriteit.

Dit toestel moet worden geïnstalleerd door een bevoegde installateur zoals ook aangegeven in de meegeleverde Installatiehandleiding. Probeer dit toestel in geen geval zelf te installeren.

MEEGELEVERDE ACCESSOIRES

Controleer of u alle volgende onderdelen inderdaad ontvangen hebt.

Gebruikershandleiding (deze handleiding)



Installatiehandleiding



Tussenstukjes x 4

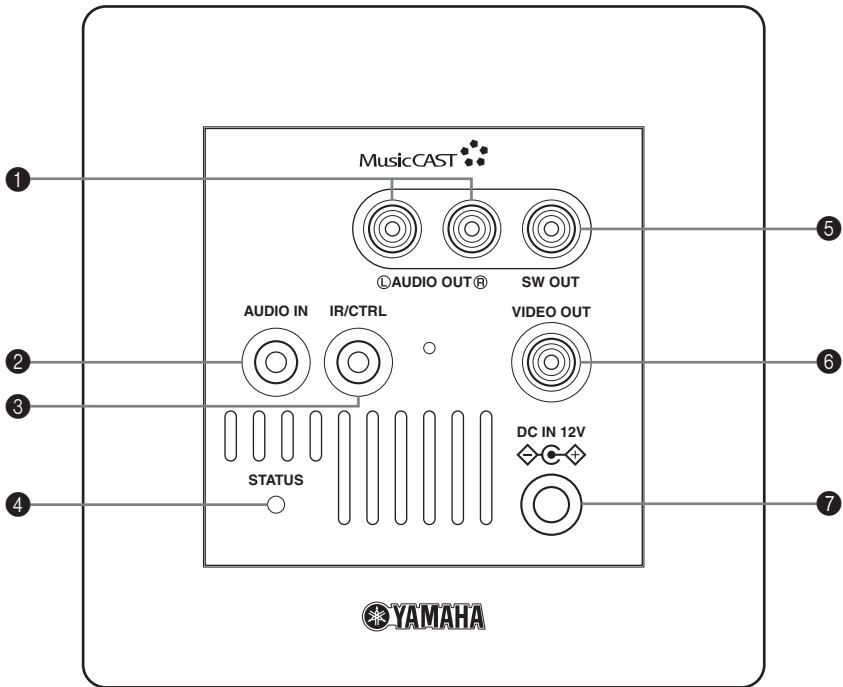


Tulpstekker/ministekker-kabel



BEDIENINGSORGANEN EN FUNCTIES

Voorpaneel



1 AUDIO OUT aansluitingen

Hierop kunt u een receiver of versterker (signaalbron) aansluiten.

2 AUDIO IN aansluiting

Hierop kunt u een externe stereobron, zoals een DVD-speler of andere versterker aansluiten zodat u daarnaar kunt luisteren.

3 IR/CTRL aansluiting

Hierop kunt u een IR flasher (infrarood zender) aansluiten als u een YAMAHA AV receiver die geregistreerd is op een client wilt kunnen bedienen. Wanneer dit toestel is aangesloten op een client, zal deze aansluiting functioneren als IR uitgangsaansluiting.

Wanneer dit toestel is aangesloten op een externe component en de bedieningsstand op "C" staat, zal deze aansluiting functioneren als bedieningsingangsaansluiting.

4 STATUS indicator

Licht op wanneer dit toestel in werking is (een signaal ontvangt).

Gaat uit wanneer het toestel in de slaapstand staat. Knippert snel wanneer de beveiliging in werking is getreden, of wanneer er iets mis gaat.

Wisselt tussen branden en 10 seconden uit wanneer dit toestel voor het eerst op een stroombron wordt aangesloten.

5 SW OUT aansluiting

Hierop kunt u een subwoofer aansluiten om de lage tonen extra te versterken.

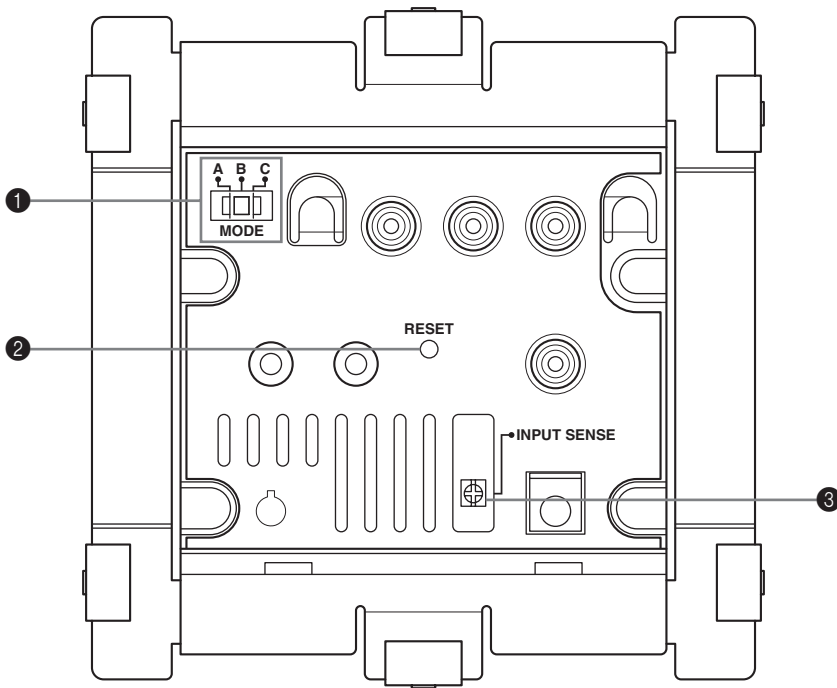
6 VIDEO OUT aansluiting

Hierop kunt u een TV of monitor aansluiten wanneer u de menuschermen van de client daarop wilt laten weergeven.

7 DC IN 12V aansluiting

Sluit hierop de netstroomadapter aan om dit toestel of een aangesloten client van stroom te voorzien.

Achter het voorpaneel



❶ MODE schakelaar

Schakelt tussen de verschillende gebruiksstanden “A”, “B” en “C” (zie bladzijde 10).

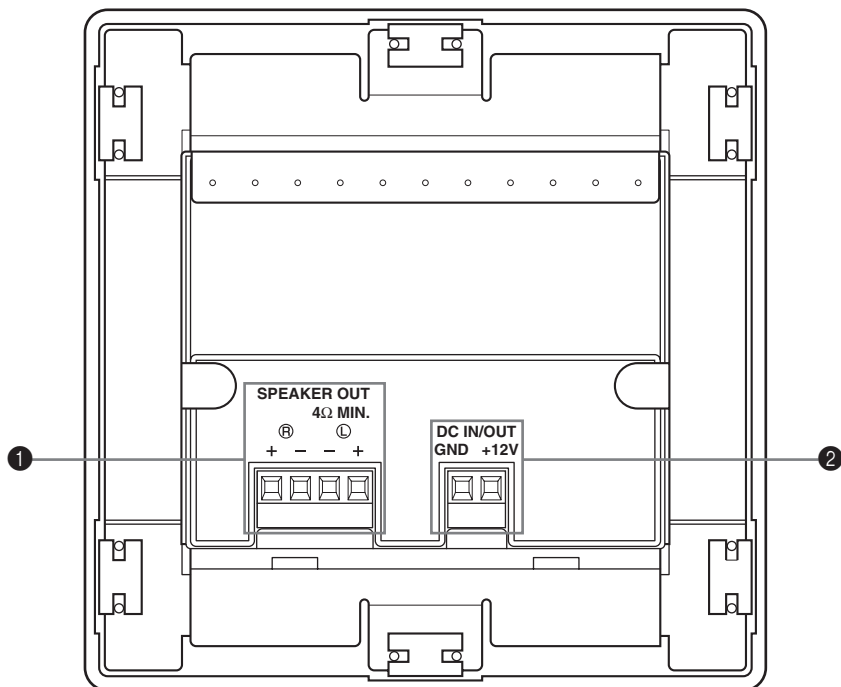
❷ RESET knopje

Hiermee kunt u het toestel resetten nadat de beveiliging in werking is getreden of wanneer u de gebruiksstand heeft veranderd (zie bladzijde 11).

❸ INPUT SENSE

Hiermee wordt gedetecteerd of er signalen binnenkomen via de AUDIO IN aansluiting (zie bladzijde 11).

Achterpaneel



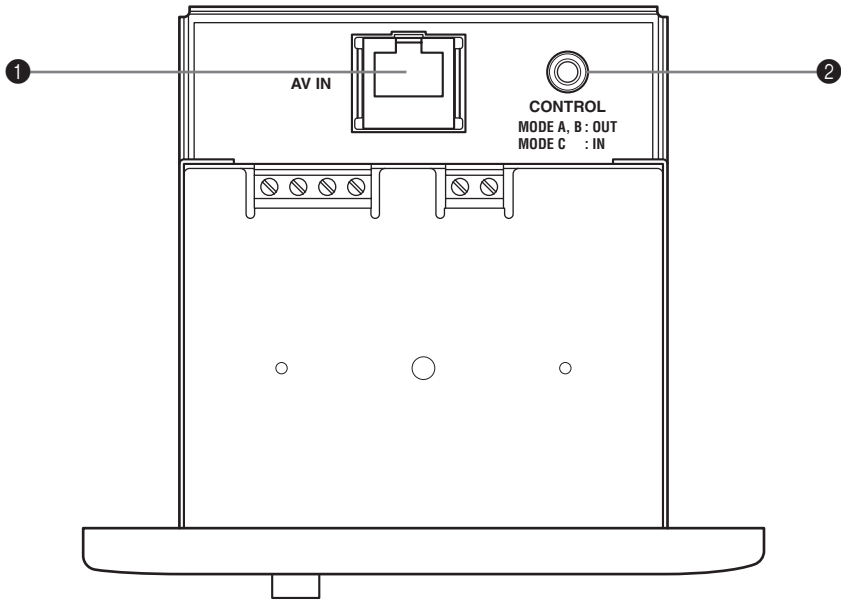
1 SPEAKER OUT aansluitingen

Hierop kunt u luidsprekers aansluiten met behulp van los verkrijgbare luidsprekerkabels.

2 DC IN/OUT aansluitingen

Wanneer dit toestel alleen is aangesloten op een client, dient u het gelijkstroomsnoer hierop aan te sluiten om de client van stroom te voorzien.

Wanneer dit toestel is aangesloten op de I/O eenheid, kunt u deze aansluitingen gebruiken om dit toestel via de I/O eenheid van stroom te voorzien.

Onderpaneel**1 AV IN aansluiting**

Hierop kunt u een client aansluiten met de CAT-5 kabel ('straight') die wordt meegeleverd met de client om zo signalen van de client te kunnen ontvangen.

2 CONTROL OUT/IN aansluiting

Sluit hierop een andere MCX-CA15 of een externe component aan om dit toestel aan/uit te kunnen zetten.

BEDIENING

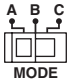
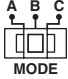
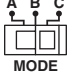
Gebruiksstanden

De MCX-CA15 beschikt over drie verschillende gebruiksstanden zodat deze breed inzetbaar is. Voor u de MCX-CA15 gaat gebruiken moet u de gebruiksstand op “A”, “B” of “C” instellen, afhankelijk van uw systeemconfiguratie.

LET OP

U moet de gebruiksstand instellen voor u de MCX-CA15 aansluit op de stroombron.

■ Gebruiksstanden

Stand	Gebruik
A  MODE	Gebruik deze stand wanneer u de MCX-CA15 samen met een client wilt gebruiken. In deze stand kunt u ook eventueel een YAMAHA AV receiver aansturen die is aangesloten op de MCX-CA15 of op de I/O eenheid via de afstandsbediening van de MCX-C15 door middel van YAMAHA AV koppelingstechnologie. In deze configuratie kan de MCX-CA15 volledig worden bediend via de client.
B  MODE	Gebruik deze stand wanneer u de MCX-CA15 wilt gebruiken als versterker voor een ander dan het MusicCAST systeem en wanneer u de MCX-CA15 ook automatisch in wilt laten schakelen of in de slaapstand wilt kunnen zetten met behulp van de ingangsniveau-detectiefunctie*. In deze stand wordt de MCX-CA15 aangestuurd door audiosignalen die worden ontvangen van de aangesloten externe component.
C  MODE	Gebruik deze stand wanneer u de MCX-CA15 wilt gebruiken als versterker voor een ander systeem dan het MusicCAST systeem en wanneer u de ingangsniveau-detectiefunctie niet wilt gebruiken*. In deze stand wordt de MCX-CA15 aangestuurd door bedieningssignalen die worden ontvangen van de aangesloten externe component.

* Zie bladzijde 11 voor details omtrent de ingangsniveau-detectiefunctie.

LET OP

In de “B” en “C” standen kunt u het volume niet regelen vanaf de MCX-CA15. Signalen die binnenkomen via de AUDIO IN aansluiting worden niet geconverteerd voor ze worden weergegeven. Als er te harde geluiden worden weergegeven, kunnen uw luidsprekers beschadigd raken. Alvorens u voor het eerst naar uw componenten gaat luisteren moet u het volume op het minimum instellen.

Opmerkingen

- In de “B” stand zal de MCX-CA15 in de slaapstand gaan wanneer er minstens vijf minuten lang geen signaal wordt gedetecteerd.
- In de “B” en “C” standen is de standaardinstelling voor de ingangsaansluiting “AUDIO IN” indien er een component is aangesloten op de AUDIO IN aansluiting. Wanneer er echter geen component is aangesloten, is de standaardinstelling “AV IN”.
- Voor u een externe component aansluit of loskoppelt aan/van de AUDIO IN aansluiting moet u de MCX-CA15 loskoppelen van de stroombron.

■ **Overzicht van gebruiksstanden en functies**

Stand	IR/CTRL aansluiting op het voorpaneel	CONTROL IN/OUT aansluiting op het onderpaneel	Auto standby met ingangsniveau-detectie
A	IR uitgang (met YAMAHA AV koppelingstechnologie)	Bedieningsuitgang	Nee
B	(Niet van toepassing)	Bedieningsuitgang	Ja
C	Bedieningsingang	Bedieningsingang	Nee

De functies van de diverse aansluitingen zijn als volgt:

IR uitgang

De IR/CTRL aansluiting op het voorpaneel functioneert als IR uitgangsaansluiting in de “A” stand. U kunt hierop een IR flasher aansluiten om met behulp van YAMAHA AV koppelingstechnologie een YAMAHA AV receiver te bedienen.

Opmerking

Dit toestel biedt alleen ondersteuning voor 38 kHz IR modulatiefrequenties.

Bedieningsuitgang

De CONTROL IN/OUT aansluiting op het onderpaneel functioneert als bedieningsuitgangsaansluiting in de “A” en “B” stand. In dit geval is het toestel in staat een signaal van 3 t/m 30 V via deze aansluiting te produceren. U kunt op deze aansluiting een andere MCX-CA15 aansluiten om die MCX-CA15 aan te kunnen sturen.

Bedieningsingang

De IR/CTRL aansluiting op het voorpaneel en de CONTROL IN/OUT aansluiting op het onderpaneel functioneren als bedieningsingang in de “C” stand. In dit geval is het toestel in staat een signaal van 3 t/m 30 V via deze aansluitingen te detecteren. U kunt hierop een andere MCX-CA15 of een externe component aansluiten om dit toestel aan/uit te kunnen zetten.

Veranderen van de gebruiksstand

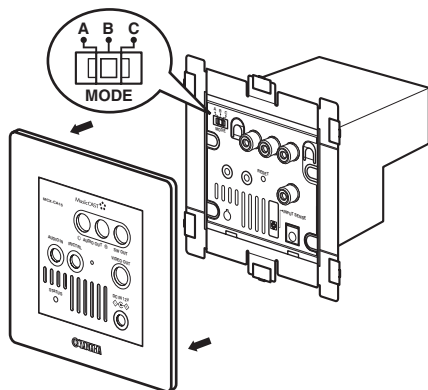
U kunt de MCX-CA15 in een andere stand zetten door de MODE schakelaar achter het voorpaneel naar links of rechts te schuiven.

LET OP

- Controleer altijd eerst of de juiste gebruiksstand is ingesteld voor u de client handmatig of automatisch gaat configureren.
- U moet RESET indrukken nadat u de gebruiksstand heeft veranderd.

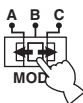
1 Pak het voorpaneel voorzichtig aan de rand vast en trek het rustig van het hoofdtoestel af.

De MODE schakelaar kunt u nu vinden in de linker bovenhoek op het toestel zelf.



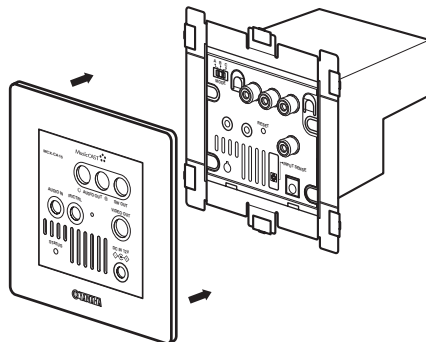
2 Schuif de MODE naar links of rechts om de gewenste gebruiksstand in te stellen.

Zie bladzijde 8 en 9 voor details over de gebruiksstanden en hun gebruik.



3 Druk met een balpen of iets dergelijks RESET in.

4 Druk het voorpaneel weer voorzichtig op zijn plaats op het hoofdtoestel zelf tot het weer vastklikt.



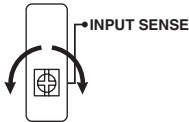
Ingangsniveau-detectie

In de "B" stand zal de MCX-CA15 automatisch inschakelen (uit de slaapstand gaan) wanneer het toestel bespeurt dat er een signaal binnenkomt van een externe signaalbron die is aangesloten op de AUDIO IN aansluiting.

U kunt met INPUT SENSE de drempelwaarde waarbij het signaal gedetecteerd zal worden bepalen.

Draai INPUT SENSE naar rechts om de drempelwaarde van het te detecteren signaal te verhogen.

Draai INPUT SENSE naar links om de drempelwaarde van het te detecteren signaal te verlagen.

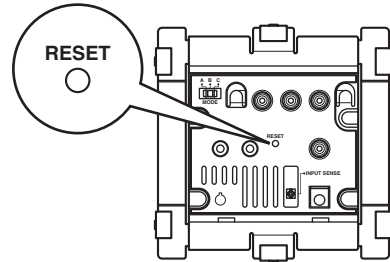


Opmerkingen

- Deze functie zal de MCX-CA15 automatisch in de slaapstand zetten wanneer er tenminste vijf minuten lang geen ingangssignaal gedetecteerd wordt.
- In de slaapstand wordt de geluidsweergave van de MCX-CA15 tijdelijk uitgeschakeld.
- Als u INPUT SENSE helemaal naar links draait, zal de MCX-CA15 altijd aan blijven staan. Als u het helemaal naar rechts draait, zal de MCX-CA15 altijd in de slaapstand blijven staan.
- Deze functie is alleen mogelijk wanneer de MCX-CA15 in de "B" stand staat.

RESET knopje

Het RESET knopje bevindt zich achter het voorpaneel.



Druk het RESET knopje alleen in om de MCX-CA15 opnieuw op te starten indien:



- De beveiliging van de MCX-CA15 in werking is getreden en het toestel zichzelf heeft uitgeschakeld.
- U met de MODE schakelaar de gebruiksstand heeft veranderd.

Opmerking

Wanneer de MCX-CA15 is aangesloten op een client en u het systeem wilt resetten, dient u O/I op de client tien seconden lang ingedrukt te houden.

OPLOSSEN VAN PROBLEMEN

Raadpleeg de tabel hieronder wanneer de MCX-CA15 niet naar behoren functioneert. Als het probleem niet hieronder vermeld staat, of als de aanwijzingen het probleem niet verhelpen, haal de stekker dan uit het stopcontact en neem contact op met uw dichtstbijzijnde YAMAHA dealer of servicecentrum.

Probleem	Oorzaak	Oplossing	Raadpleeg bladzijde
De AV koppelingstechnologie functioneert niet naar behoren.	Het signaal is zwak (alleen voor IR flasher verbindingen).	Plaats de IR flasher zo dat deze onbelemmerd zicht heeft op de infraroodsensor van de externe component in kwestie.	—
De client produceert geen geluid.	Het volume van de client staat te laag.	Zet het volume hoger.	Snelgids, bladzijde 9
	De luidsprekers zijn niet correct aangesloten op de MCX-CA15.	Controleer de verbindingen tussen de luidsprekers en de MCX-CA15.	Installatiehandleiding, bladzijde 11
Gebruik van de MCX-CA15 produceert hinderlijke storing op radio's in de buurt.	De MCX-CA15 en de radio in kwestie staan te dicht bij elkaar.	Zet de MCX-CA15 en de radio tenminste één meter uit elkaar.	—
De STATUS indicator op het voorpaneel van de MCX-CA15 knippert snel.	De bedrading is niet correct aangesloten.	Sluit de bedrading op de juiste manier aan. Bij gebruik van de MCX-CA15 in het MusicCAST systeem, dient u  /I op de client 10 seconden lang ingedrukt te houden om het systeem te resetten. Bij gebruik van de MCX-CA15 als versterker voor een ander systeem, dient u RESET achter het voorpaneel van de MCX-CA15 in te drukken om dit toestel te resetten.	11
	U gebruikt luidsprekers met een lage impedantie.	Gebruik luidsprekers met een impedantie van tenminste 4 Ω . Bij gebruik van de MCX-CA15 in het MusicCAST systeem, dient u  /I op de client 10 seconden lang ingedrukt te houden om het systeem te resetten. Bij gebruik van de MCX-CA15 als versterker voor een ander systeem, dient u RESET achter het voorpaneel van de MCX-CA15 in te drukken om dit toestel te resetten.	11

TECHNISCHE GEGEVENS

AUDIOPRESTATIES

- Minimum RMS uitgangsvermogen
1 kHz, 1% THV 13 W + 13 W
- Maximum vermogen (EIAJ)
1 kHz, 10% THV 17 W + 17 W of 18 W (1 kanaal)
- Frequentierespons (EIAJ) 20 Hz t/m 20 kHz, $\pm 1,0$ dB
- Totale harmonische vervorming + ruis (EIAJ) 0,008%
- Signaal-ruisverhouding (EIAJ) 98 dB
- Dynamisch bereik (EIAJ) 98 dB
- Ingangsgevoeligheid/impedantie (1 kHz, 1% THV)
Standen A en B 220 mV/3 k Ω
Stand C 780 mV/3 k Ω
- Uitgangsniveau/impedantie
AUDIO OUT (1 kHz, 220 mV ingangssignaal van AUDIO IN) 1,0 Vrms/1 k Ω
AUDIO OUT (1 kHz, 0 dB, Volume -20 dB ingangssignaal van de MCX-C15 aangesloten met een CAT-5 kabel
(‘straight’) van 2 m.) 1,0 Vrms/1 k Ω
SW OUT (50 kHz, 220 mV ingangssignaal van AUDIO IN) 1,0 Vrms/2,1 k Ω

ALGEMEEN

- Stroombron 100 tot 240 V, 50/60 Hz wisselstroom
- Stroomverbruik 40 W
- Bedrijfstemperatuur +5°C t/m +35°C
- Afmetingen (b x h x d) 120 x 120 x 105 mm
- Gewicht (zonder netstroomadapter) 0,6 kg

* De technische gegevens hierboven kunnen zonder kennisgeving gewijzigd worden.



© 2004 YAMAHA CORPORATION All rights reserved.

YAMAHA ELECTRONICS CORPORATION, USA 6660 ORANGETHORPE AVE., BUENA PARK, CALIF. 90620, U.S.A.
YAMAHA CANADA MUSIC LTD. 135 MILNER AVE., SCARBOROUGH, ONTARIO M1S 3R1, CANADA
YAMAHA ELECTRONIK EUROPA G.m.b.H. SIEMENSSTR. 22-34, 25462 RELLINGEN BEI HAMBURG, F.R. OF GERMANY
YAMAHA ELECTRONIQUE FRANCE S.A. RUE AMBROISE CROIZAT BP70 CROISSY-BEAUBOURG 77312 MARNE-LA-VALLÉE CEDEX02, FRANCE
YAMAHA ELECTRONICS (UK) LTD. YAMAHA HOUSE, 200 RICKMANSWORTH ROAD WATFORD, HERTS WD18 7GQ, ENGLAND
YAMAHA SCANDINAVIA A.B. J A WETTERGRENS GATA 1, BOX 90053, 400 43 VÄSTRA FRÖLUNDA, SWEDEN
YAMAHA MUSIC AUSTRALIA PTY, LTD. 17-33 MARKET ST., SOUTH MELBOURNE, 3205 VIC., AUSTRALIA

YAMAHA CORPORATION
Printed in Malaysia © WD28650