

YAMAHA SILENT SESSION DRUM™ DTXPRESS IV Special Set V2 Assembly Manual

This manual describes the standard assembly of the DTXPRESS IV Special Set V2. After assembling the parts and connecting the cords as shown in Figure 1, the unit is ready to be turned on.

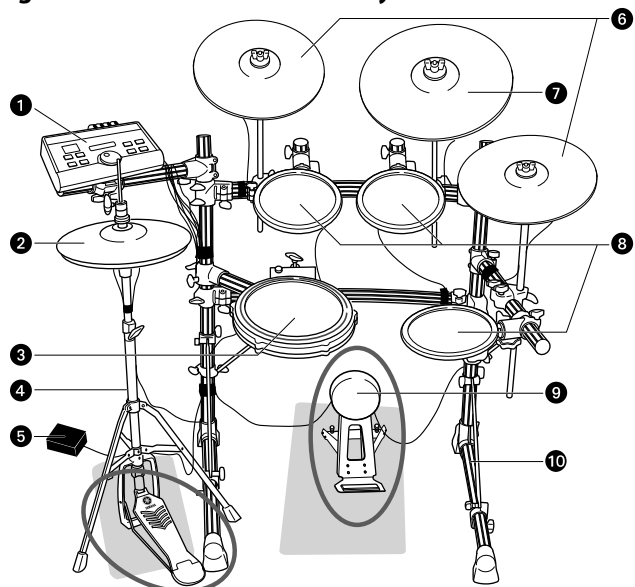
* To assemble the unit, make sure you have the following three packages:

- RS85 (Rack System)
- DTP4K2SP (Pad Set)
- DTXP4 (Trigger Module)

⚠ Before assembling the unit, lay a drum mat (sold separately).

Before assembling the unit, lay a drum mat on the floor. Alternately, to prevent damaging your floor, lay the cardboard of the included packages, etc. on the floor before assembling the two parts shown in the circles in Figure 1.

Figure 1: Unit Standard Assembly



- 1 DTXP4 (Drum Trigger Module)
- 2 RHH135 (Real Hi-Hat Pad)
- 3 TP100 (3-zone Drum Pad)
- 4 HS650A (Hi-Hat Stand)
- 5 AC Adaptor
- 6 PCY135 (3-zone Cymbal Pad)
- 7 PCY155 (3-zone Cymbal Pad)
- 8 TP65 (Drum Pad)
- 9 KP65 (Kick Pad)
- 10 RS85 (Rack System)

PRECAUTIONS

Before using, please read this assembly manual, and use this product in a safe and proper manner. Particularly in the case of children and young users, parents or an instructor should teach the children the proper manner in which to use the device.

WARNING If this symbol is ignored and the equipment is used improperly, fatal injury to persons or serious damage could occur.

- Do not let small children assemble or set up this product by themselves, or they may be injured. Always assemble this product with adult supervision.
- Be careful with the edges of the cymbal holders and the tom holders. The sharp holder ends may result in injury.
- Be careful with the edges of the spurs attached to the base. The sharp spur ends may result in injury.
- If this product is used with the rack system or a cymbal stand, make sure all bolts are tightened firmly. Also, when adjusting the height or angle, do not suddenly loosen the bolts. Loose bolts may result in the rack overturning or parts dropping, causing injury.
- Always set the product on a flat and solid surface. Placement on a sloping, unstable surface or on steps may result in the product being unstable and subject to overturning.
- When setting the product, please pay close attention to the handling and setting of cables. Carelessly placed cables may cause the user and others to trip and fall.
- Do not alter the product. Doing so may result in injury or damage/deterioration to the product.
- Do not sit or step on the rack. The rack may overturn or be damaged, resulting in injury.

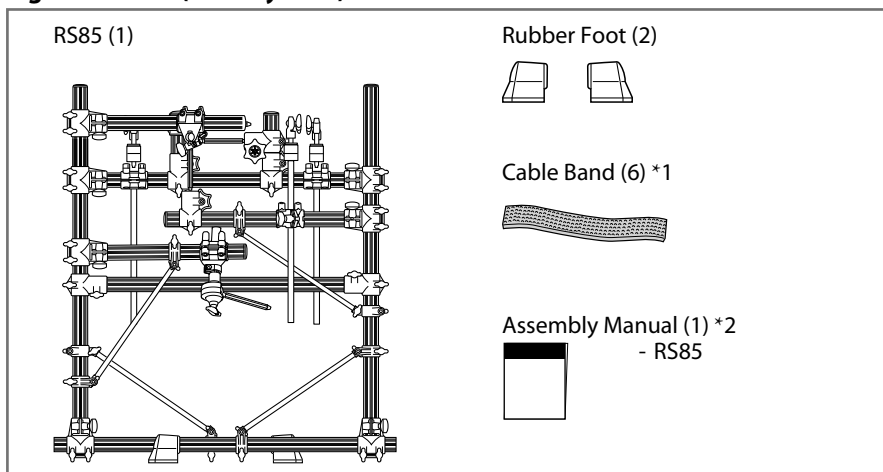
CAUTION If this symbol is ignored and the equipment is used improperly, there is a danger or injury to persons handling the equipment, and material damage could occur.

- Watch your fingers when adjusting clamps. They may become pinched, resulting in injury.
- Make sure you hold onto the plug, not the cable, when connecting or disconnecting the cable. Also, never place any heavy or sharp objects on the cable. Applying excessive force to the cable may result in damage to the cable, such as the wires being severed, etc.
- Do not step on or place heavy objects on the product. It may result in damage.
- Be careful around pipe ends, inside the pipe and screw ends. Metal shavings, etc. may injure your fingers.
- Do not put your hands or feet under the foot pedal or foot switch. They may be pinched, resulting in injury.
- Do not use or keep the product in places with extremely high temperature (places in direct sunlight, close to a heater, in a closed car, etc.) or high humidity (bathroom, outside on a rainy day, etc.). Doing so may result in deformation, discoloration, damage or deterioration.
- When cleaning the product, do not use benzine, thinner or alcohol as it may result in discoloration or deformation. Please wipe with a soft cloth or a damp cloth that has been wrung out thoroughly. If the product is soiled or sticky, use a neutral detergent on a cloth then wipe with a damp cloth that has been wrung out thoroughly to remove any remaining detergent. Also pay close attention so as not to let the water and detergent come into contact with the cushions used in the product; doing so may result in deterioration.
- Do not attach acoustic drums to the electronic drum rack. Clamps may be damaged and drums may drop, causing injury.

1 Checking the contents of RS85

Open the RS85 (Rack System) package and confirm the contents.

Figure 2: RS85 (Rack System)



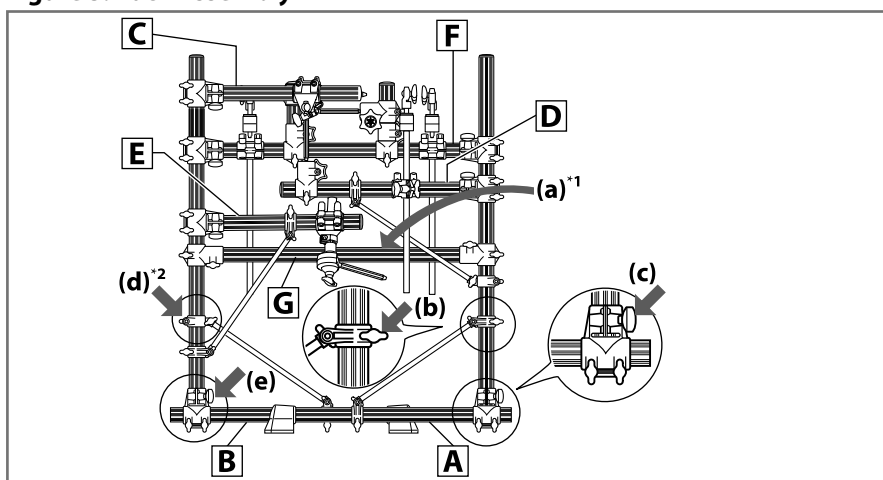
*1 Use cable bands to bind cables to pipes in "B" Connecting to a power source". (Spare bands are included.)
*2 Not this manual.

2 Assembling the Rack System

1 Take out the rack system from the package and remove all the cushioning. Remove the bubble wrap on the pipes while assembling the rack system.

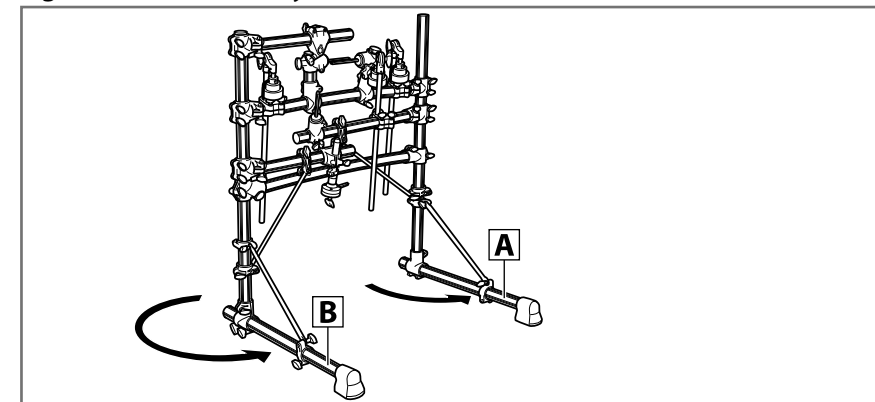
⚠ The pipe ends may injure your fingers.

Figure 3: Rack Assembly-1



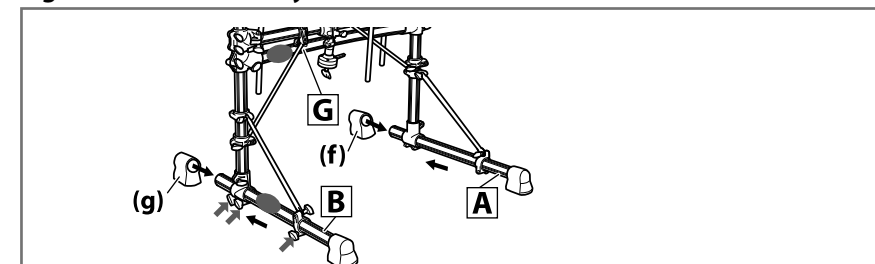
*1 YAMAHA logo label on the red curved pipe is facing the opposite side.
*2 The knob is on the opposite side of the pipe.

Figure 4: Rack Assembly-2



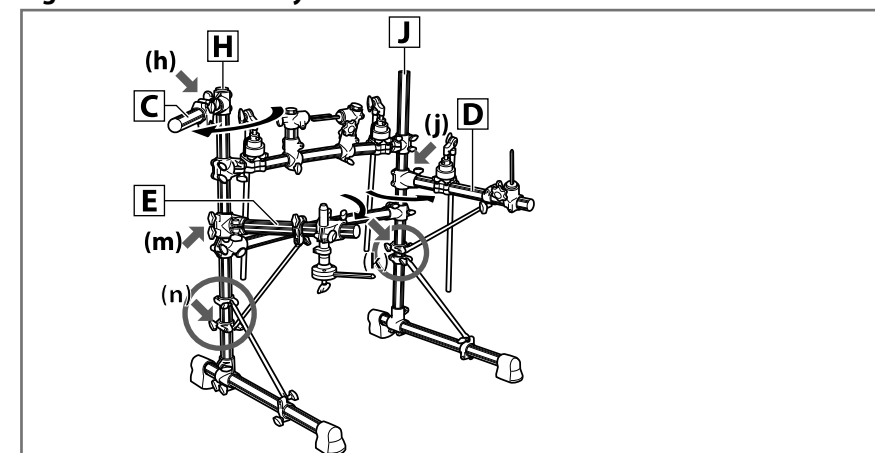
- See Figure 3. Set up the rack system, with the YAMAHA logo label (a) on the red curved pipe (G) facing the opposite side from you. Support the rack system with your left hand, and loosen the two knobs (b) and (c) on your right.
 - See Figure 4. Move the leg on your right (pipe A) in a counterclockwise direction until it is about 90 degrees from the red curved pipe with the YAMAHA logo label. Tighten the two knobs loosened in step 2 and fix the position of pipe A.
 - See Figure 3 again. Loosen the two knobs (d) and (e) on your left. The knob (d) is on the opposite side of the pipe.
 - See Figure 4 again. Move the leg on your left (pipe B) all the way around the standing vertical pipe in a counterclockwise direction until it is parallel with pipe A. Tighten the two knobs loosened and fix the position of pipe B.
- ⚠ Be sure to move pipe B in a counterclockwise direction. If you move it in a clockwise direction, the slim pipes may collide and bend.
- * In the following steps, loosen the knobs first, decide the position of the pipe, and then tighten the knobs. Be careful not to tighten the knobs excessively. For better performance, make minor adjustments for each part of the unit with the knobs after the assembly is completed.

Figure 5: Rack Assembly-3



- See Figure 5. Loosen the three knobs of pipe B, which are on the left bottom and opposite side from you (shown with ↻). Hold the area of pipe G and B shown with ●, and slide pipe B so the further end of pipe B will slide outward about 7 cm from the joint part with the standing vertical pipe. In the same manner, loosen the three knobs of pipe A, which are on the right bottom and opposite side from you. Slide pipe A so the further end of pipe A will slide outward about 7 cm from the joint part with the standing vertical pipe. Tighten the six knobs loosened and fix the position of pipes A and B.
- Insert the rubber foot on each further end of pipe A and B.

Figure 6: Rack Assembly-4

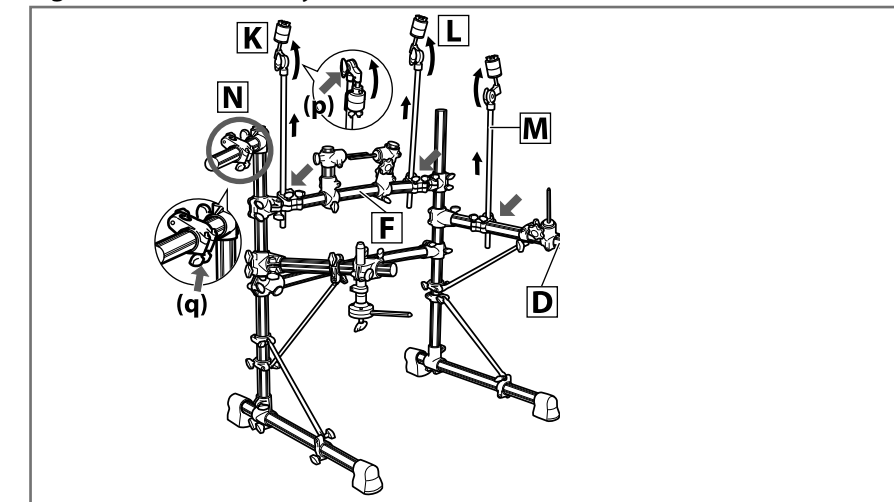


- See Figure 6. Loosen the two knobs (h) on the upper left aligned at the base of pipe C, and move pipe C slightly outward in a clockwise direction. Tighten the two knobs loosened and fix the position of pipe C.
- Loosen the two knobs (j) on the middle right aligned at the base of pipe D and the knob (k) on the lower right of the slim pipe supporting pipe D. Move pipe D in a counterclockwise direction until it is about 90 degrees from the red curved pipe with the YAMAHA logo label. Tighten the three knobs loosened and fix the position of pipe D and the slim pipe supporting it.
- Loosen the two knobs (m) on the middle left aligned at the base of pipe E and the knob (n) on the lower left on the slim pipe supporting pipe E, and move pipe E in a clockwise direction until it is about 45 degrees from the red curved pipe with the YAMAHA logo label. Tighten the three knobs loosened and fix the position of pipe E and the slim pipe supporting it.

⚠ The pipes may bend when the area shown in ○ collides.

- Check that the entire rack system is stable. Hold the upper area of the vertical pipe H and J, and shake them. If the rack system is unstable, retighten the knobs tightened in steps 2 to 5.

Figure 7: Rack Assembly-5



- See Figure 7. Loosen the knobs of the cymbal holders K, L and M on the right and left (shown with ↻ on the opposite side of pipe E and D) and pull up the cymbal holders vertically to the height illustrated. Tighten the knobs loosened and fix the positions of the cymbal holders.
- Loosen the wing bolt (p) of the cymbal holder K and set up the upper part of the cymbal holder. Tighten the wing bolt loosened and fix the position of the cymbal holder K. Set up the upper part of the cymbal holders L and M in the same manner.
- Loosen the two knobs (q) aligned along the pipe with the Trigger Module attachment part N. Adjust the Trigger Module attachment part N so the operating panel will face upward diagonally to your side when set. Hold the Trigger Module attachment part N firmly and turn it gradually. Tighten the two knobs loosened and fix the position of the Trigger Module attachment part N.

3 Checking the contents of the Pad Set and the Trigger Module

Open the DTP4K2SP (Pad Set) and Trigger Module package and confirm the contents.

Figure 8: Pad Set DTP4K2SP

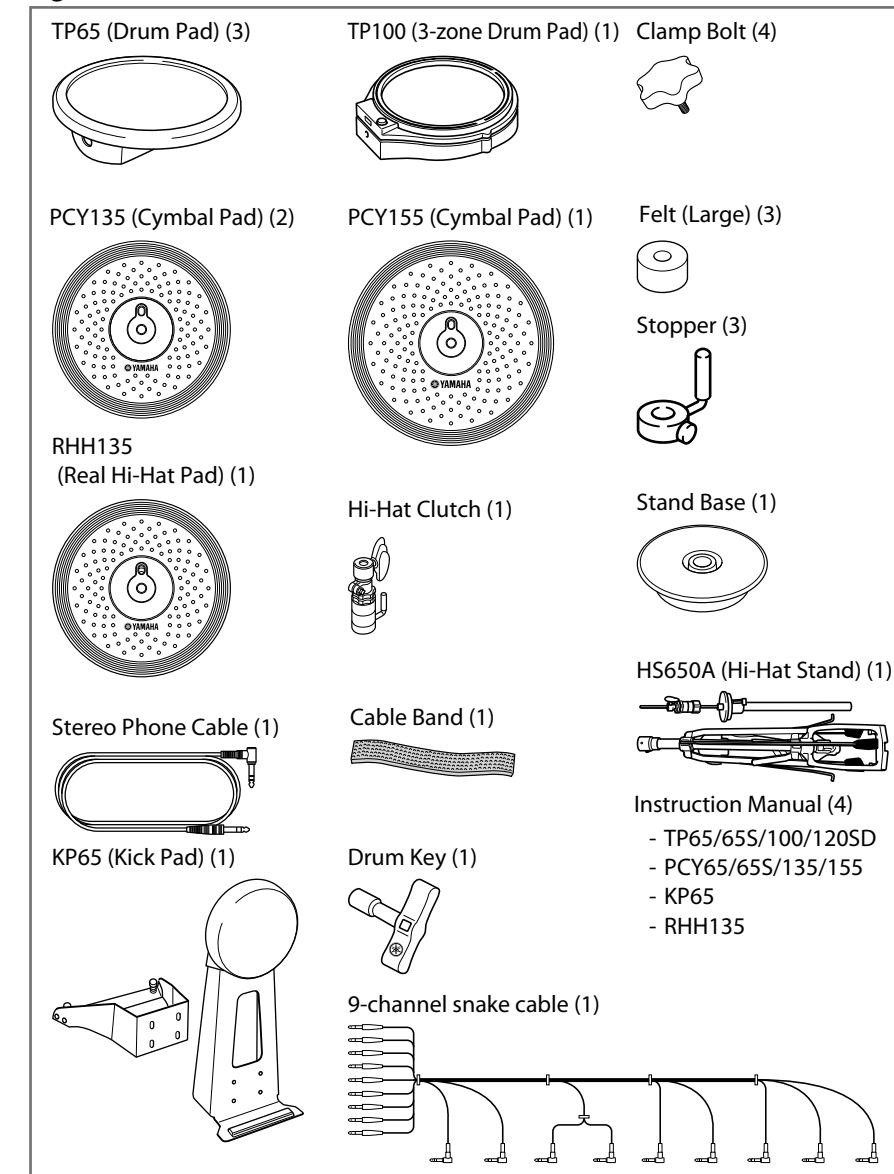
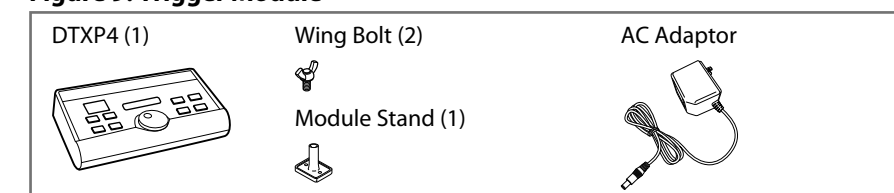


Figure 9: Trigger Module

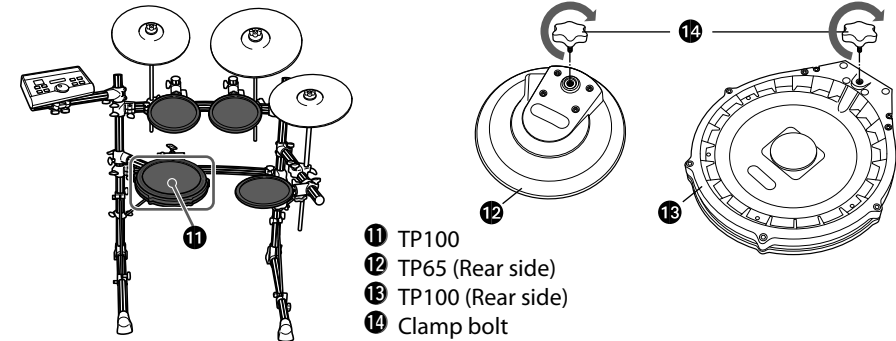


4 Mounting the pads and the trigger module on the rack system

Mount the pads and the trigger module on the rack system. Then position the kick pad and the hi-hat.

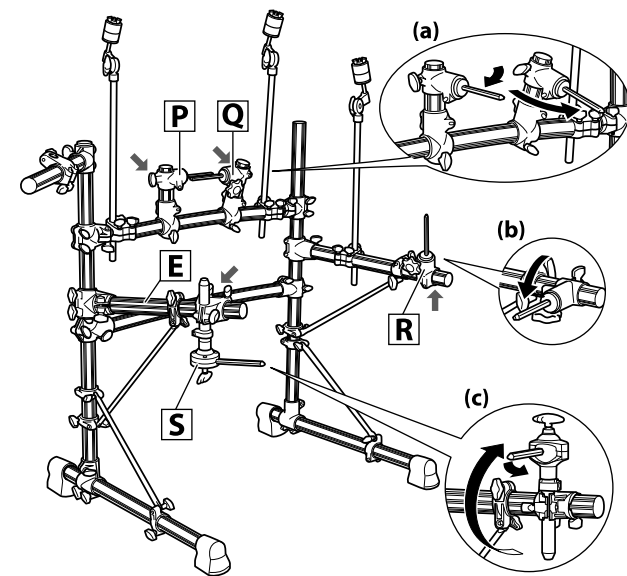
Mounting the TP65 (Drum pads) and TP100 (3-zone Drum pad) on the rack system

Figure 10: Pads Assembly-1 Figure 11: TP65 and TP100



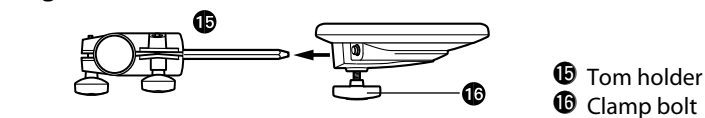
- See Figure 11. Attach the clamp bolts (14) on TP65s (12) and TP100 (13). Tighten the clamp bolts five to six turns each.

Figure 12: Pads Assembly-2



- See Figure 12. Loosen the knobs of the tom holders P and Q at the center of the rack system (shown with 1). Move the tom holders as shown in Figure 12-(a). Then tighten the knobs and fix the position of the tom holders P and Q.
- Loosen the knob of the tom holder R on the right (shown with 1). Move the tom holder inward as shown in Figure 12-(b). Tighten the knobs and attach the tom holder firmly at a position where it points slightly downward.

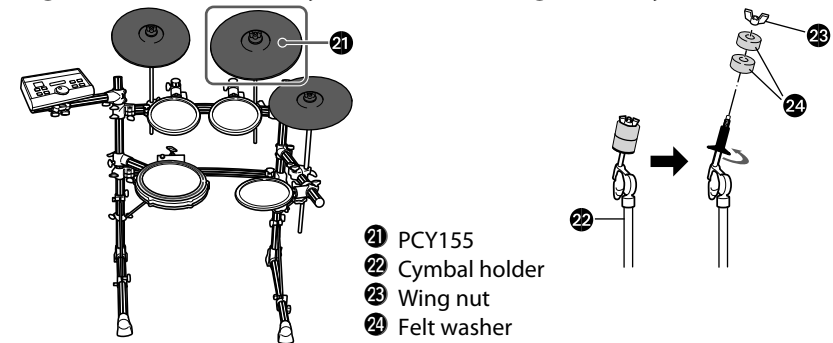
Figure 13: Tom Holder and Drum Pad



- Attach the TP65 (Drum pad) to the tom holder P as shown in Figure 13. Tighten the clamp bolt and attach the drum pad TP65 firmly.
- See Figure 12 again. Repeat step 3 and 4 in the same manner for tom holder Q at the center of the rack system and for tom holder R on the right, and attach the TP65 (Drum pad) to each tom holder.
- Loosen the knobs of the snare holder S on the left (shown with 1). Turn the snare holder S as shown with the big arrow in Figure 12-(c) and set it up vertically. Turn the metal stick on the upper part of S as shown with the small arrow in Figure 12-(c) until it is pointing slightly outward than pipe E.
- Attach the 3-zone drum pad TP100 to the snare holder S set up in step 6. Tighten the clamp bolt and attach the 3-zone drum pad TP100 firmly.

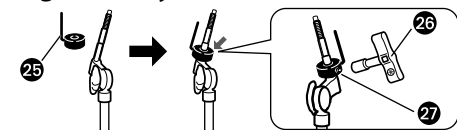
Mounting the PCY135 and PCY155 (Cymbal pads) on the rack system

Figure 14: Pads Assembly-3 Figure 15: Cymbal holder-1



- See Figure 15. Remove the wing nut (23) and the two felt washers (24) from the cymbal holder (22). Then turn the black plastic part in a counterclockwise direction and remove it.

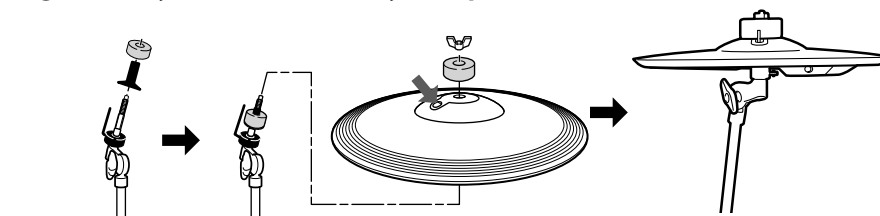
Figure 16: Cymbal holder-2



- 25 Stopper
- 26 Drum key
- 27 Key bolt

- See Figure 16. Attach the stopper to the cymbal holder, and fix at a position where the L-shaped part of the stopper is on the opposite side from you. To fix the position of the stopper (25), use the drum key (26) and tighten the key bolt (27) firmly.
- See Figure 17. Attach the black plastic part removed in step 1 to the cymbal holder, and tighten it in a clockwise direction.
- Attach one of the felt washers removed in step 1 to the cymbal holder. The other felt washer will not be used within the standard assembly described in this manual.

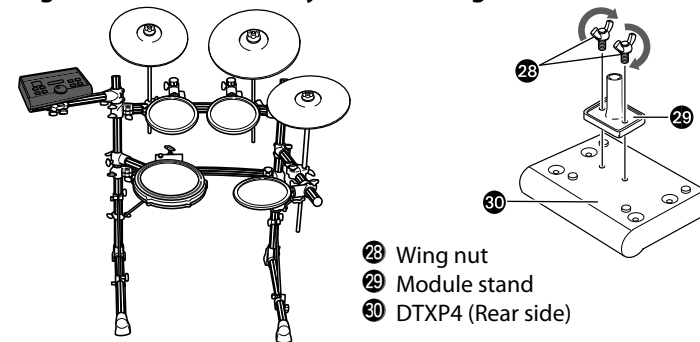
Figure 18: Cymbal holder and Cymbal pad



- See Figure 18. Insert the end of the L-shaped part of the stopper into the oval-shaped hole on the cymbal pad (shown with 1) to set the cymbal pad on the cymbal holder.
 - * Cymbal pad PCY135 is very similar to Real High-Hat Pad RHH135. Check the part number on the reverse side.
- Attach the included round-shaped felt with a large hole-diameter to the cymbal holder, then attach the wing nut removed in step 1 and tighten it. Turn the wing nut until you are certain that the cymbal pad is attached. The cymbal pad is designed to shake when you hit the surface, even when the wing nut is tightened securely.

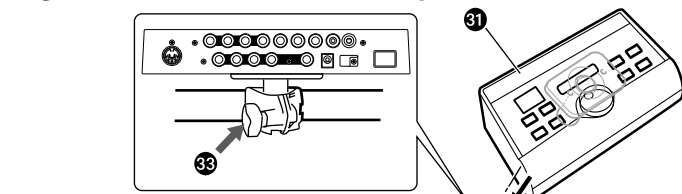
Mounting the DTXP4 (Trigger module)

Figure 19: Pads Assembly-4



- Attach the module stand (29) onto the rear side of the DTXP4 (30) using the wing nuts (28).

Figure 21: Module stand and clamp

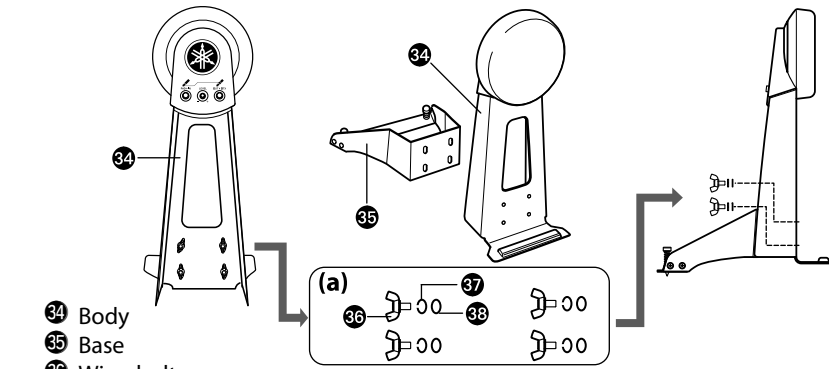


- Attach the module stand (31) onto the clamp (32). Tighten the knob (33) and fix the position.

Assembling the KP65 (Kick pad)

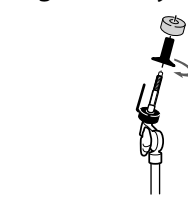
- If a drum mat (sold separately) is not available, lay a cardboard on the floor to prevent scratching the surface.

Figure 22: KP65 Assembly



- Remove the wing bolt (36), the spring washer (37) and the washer (38) from the body (34), and keep the four sets nearby in the order removed.
 - * If the wing bolt, the spring washer and/or the washer are separated from each other, set them as illustrated in Figure 22-(a).
- Set the base (35) on the body (34), and attach them using the wing bolt, the spring washer and the washer removed in step 2.

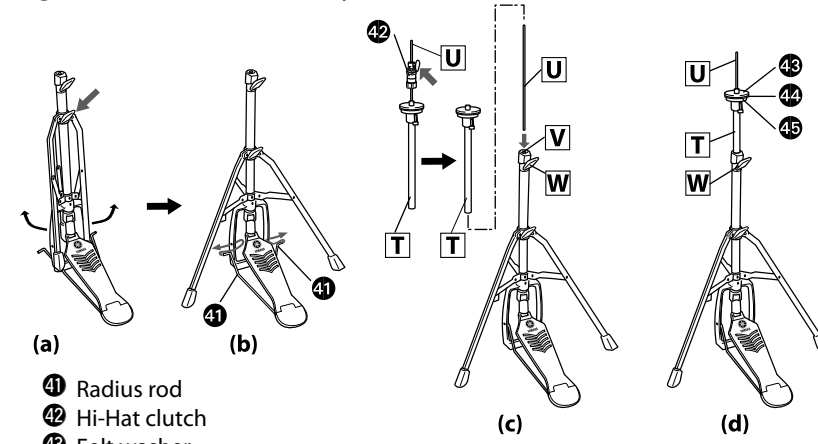
Figure 17: Cymbal holder-3



Assembling the HS650A (Hi-Hat stand)

- If a drum mat (sold separately) is not available, lay a cardboard on the floor to prevent scratching the surface.

Figure 23: HS650A Assembly

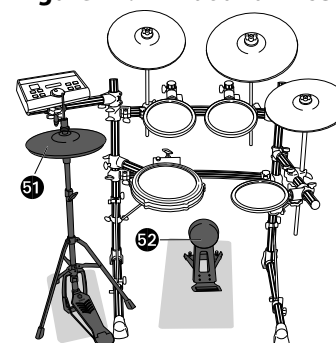


- Loosen the wing bolt of the hi-hat stand (shown with 1 in Figure 23-(a)). Spread out the legs of the tripod part of the hi-hat stand until it stands stable. Tighten the wing bolt loosened in step 2.
- Insert the radius rod (41) into the hole of the frame as shown in Figure 23-(b).
- Loosen the wing bolt of the hi-hat clutch (42) (shown with 1 in Figure 23-(c)).
- * The hi-hat clutch is not used within the standard assembly described in this manual. Use the hi-hat clutch included in RHH135.
- Pull out the hi-hat shaft U from pipe T.
- Insert the hi-hat shaft U removed in step 6 into the nut V shown in Figure 23-(c).
- Insert pipe T into the hi-hat shaft U from above. Tighten the wing bolt W at the position where the cymbal support plate will be positioned at the middle area of the hi-hat shaft U.
- Remove the felt washer (43) and the cymbal support plate (44) attached above the cymbal support plate. They are not used within the standard assembly described in this manual.
- Set the real hi-hat pad RHH135.

* For the next step, see "Setting Up" in the RHH135 Owner's manual.

Installing the Hi-Hat and KP65 (Kick pad)

Figure 24: Hi-Hat and KP65

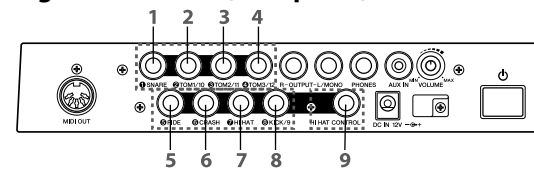


- If a drum mat (sold separately) is not available, lay a cardboard on the floor to prevent scratching the surface.
- Place the hi-hat (51) on the left side of the RS85 (Rack system).
- Place the KP65 (Kick pad) (52) at the bottom center of the rack system.

5 Connecting the pads to the Trigger Module

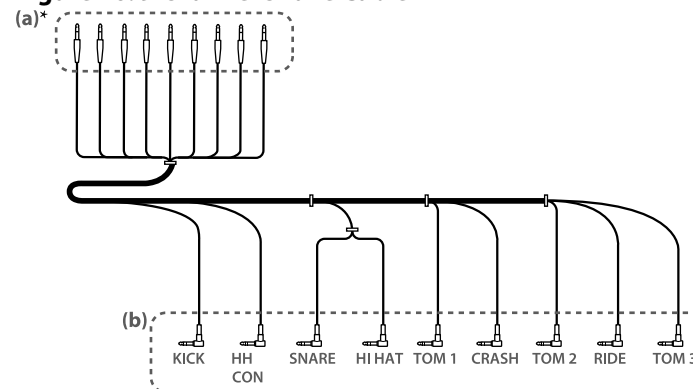
Connect the output jacks of the pad and the input jacks of the trigger module with the 9-channel snake cable.

Figure 25: DTXP4 (Rear panel)



- 1 SNARE
- 2 TOM 1
- 3 TOM 2
- 4 TOM 3
- 5 RIDE
- 6 CRASH
- 7 HI HAT
- 8 KICK
- 9 HH CON (HI HAT CONTROL)

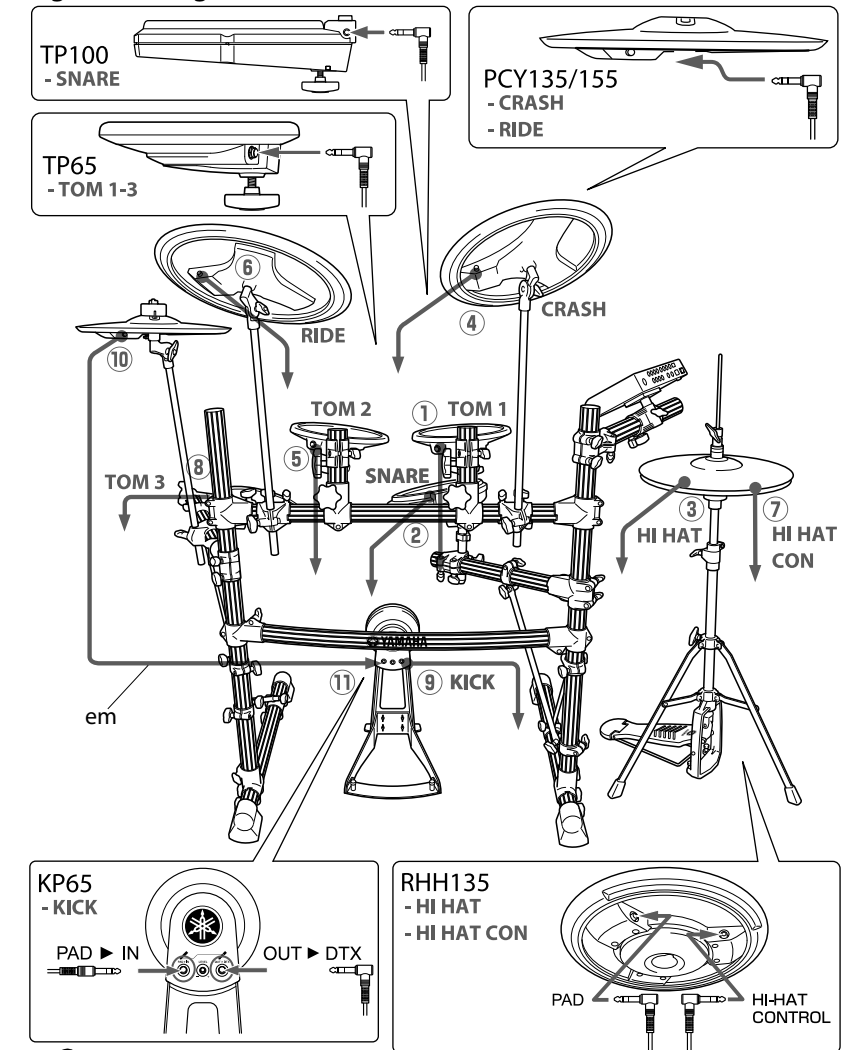
Figure 26: 9-channel Snake Cable



* Each straight plug is labeled indicating the input jacks to which they are to be connected.

- Insert the straight plugs (Figure 26-(a)) of the 9-channel snake cable into the input jacks on the rear panel of the trigger module. For standard assembly, connect the straight plugs to the input jacks in accordance with the indication on each label.

Figure 27: Diagram of standard connection

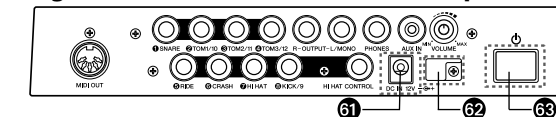


- Insert the L-shaped plugs (Figure 26-(b)) of the 9-channel snake cable into each corresponding pad. It is recommended to connect the cables in order from numbers 1 to 9 shown in Figure 27 (from the shortest cable to the longest cable).
- Insert the L-shaped plug end of the stereo phone cable into the cymbal pad PCY135 (10) in Figure 27). Insert the straight plug end of the stereo phone cable into the PAD IN jack of Kick pad KP65 (11).

6 Connecting to a power source

Connect the AC adaptor to the DTXP4.

Figure 28: Power switch (DTXP4 rear panel)



- 51 Power supply jack (DC IN 12V)
- 52 Cable clip
- 53 Power switch

- Make sure to turn the power off (the Standby/On switch (53) is set to the standby position (1)).
- Attach the AC adaptor to connect to a power source. Insert the DC plug into the power supply jack (51) and twist the cable around the cable clip (52) to prevent the DC plug from falling out.

Figure 29: Cable clip (DTXP4 rear panel)

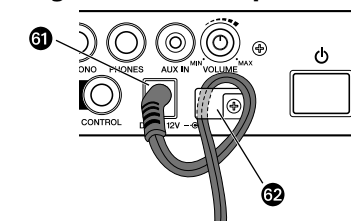
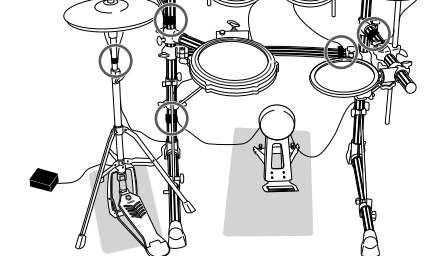


Figure 30: Using Cable Band

- Use the cable bands to bind the cables to the pipes at the six points shown with the circles.
 - * Leaving the cable slacked may interfere with your performance.



The assembly is now completed.

* To check the actual sound, connect the unit with an amplified speaker or a headphone before turning on the power.